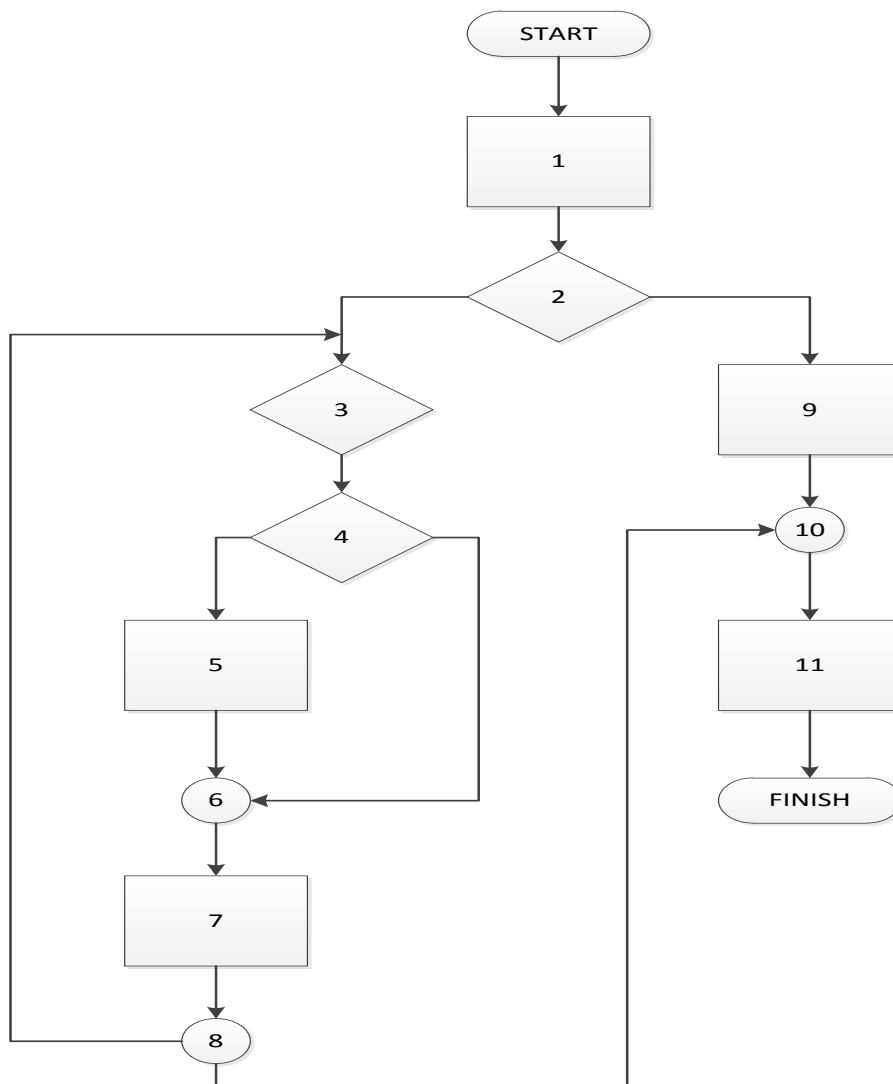


Kasus yang akan diuji:

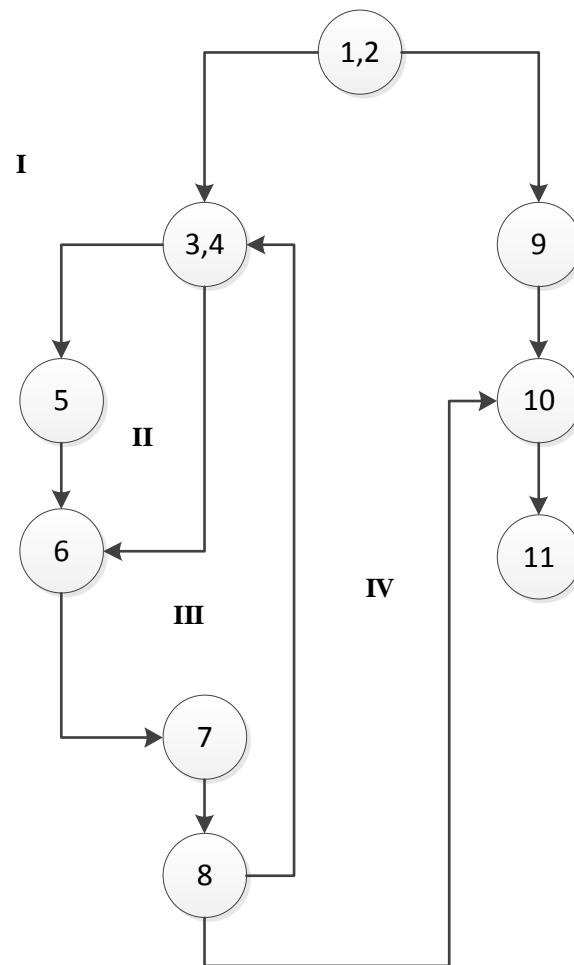
```
Program coba;  
var a : integer;  
begin  
1   a := 5;  
2   if a > 4 then  
   begin  
3     while a < 10 do  
     begin  
4       if a > 5 then  
5/6      writeln(a); {dianalogikan ada endif}  
7       a := a + 1;  
8     end;  
   end  
   else  
9/10  a := a + 10; {dianalogikan ada endif}  
11  writeln;  
end.
```

WHITE BOX TESTING

Flow chart:



Flowgraph:



Cyclomatic Complexity

$$\begin{aligned}V(G) &= E - N + 2 \\ &= 11 - 9 + 2 \\ &= 4\end{aligned}$$

Jumlah Region

Jumlah region adalah 4

Independent Path

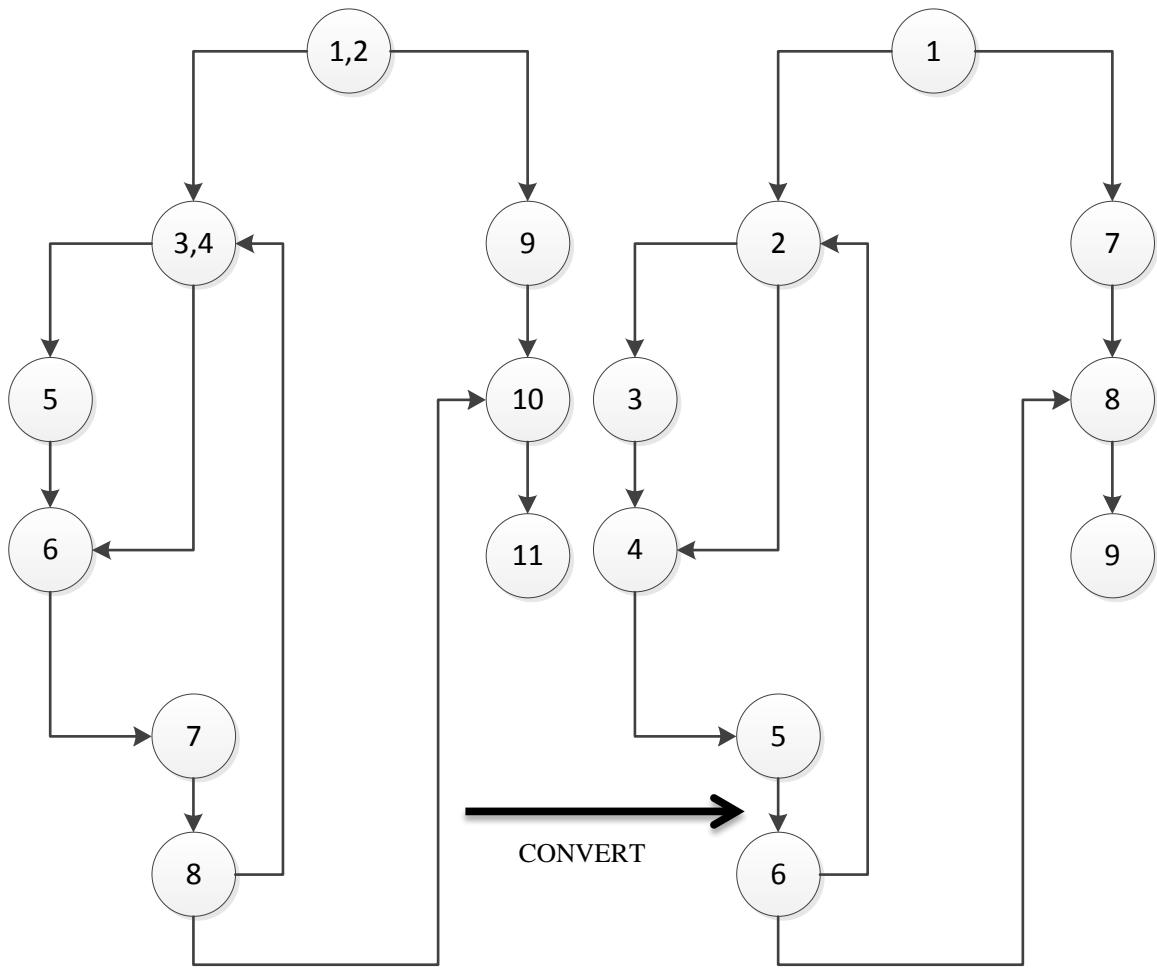
Path 1 : 1-2-3-4-5-6-7-8-10-11

Path 2 : 1-2-3-4-6-7-8-10-11

Path 3 : 1-2-9-10-11

Path 4 : 1-2-3-4-6-7-8-3-4-5-6-7-8-9-10-11

Graph Matrix



	1	2	3	4	5	6	7	8	9	
1		1					1			1
2			1	1						1
3				1						0
4					1					0
5						1				0
6		1						1		1
7								1		0
8									1	0
9										0
JUMLAH										3

$V(G) = 3 + 1 = 4$

Jumlah Predicate Node

Predicate Node = 1, 2, 6

$$V(G) = P + 1$$

$$= 3 + 1$$

$$= 4$$