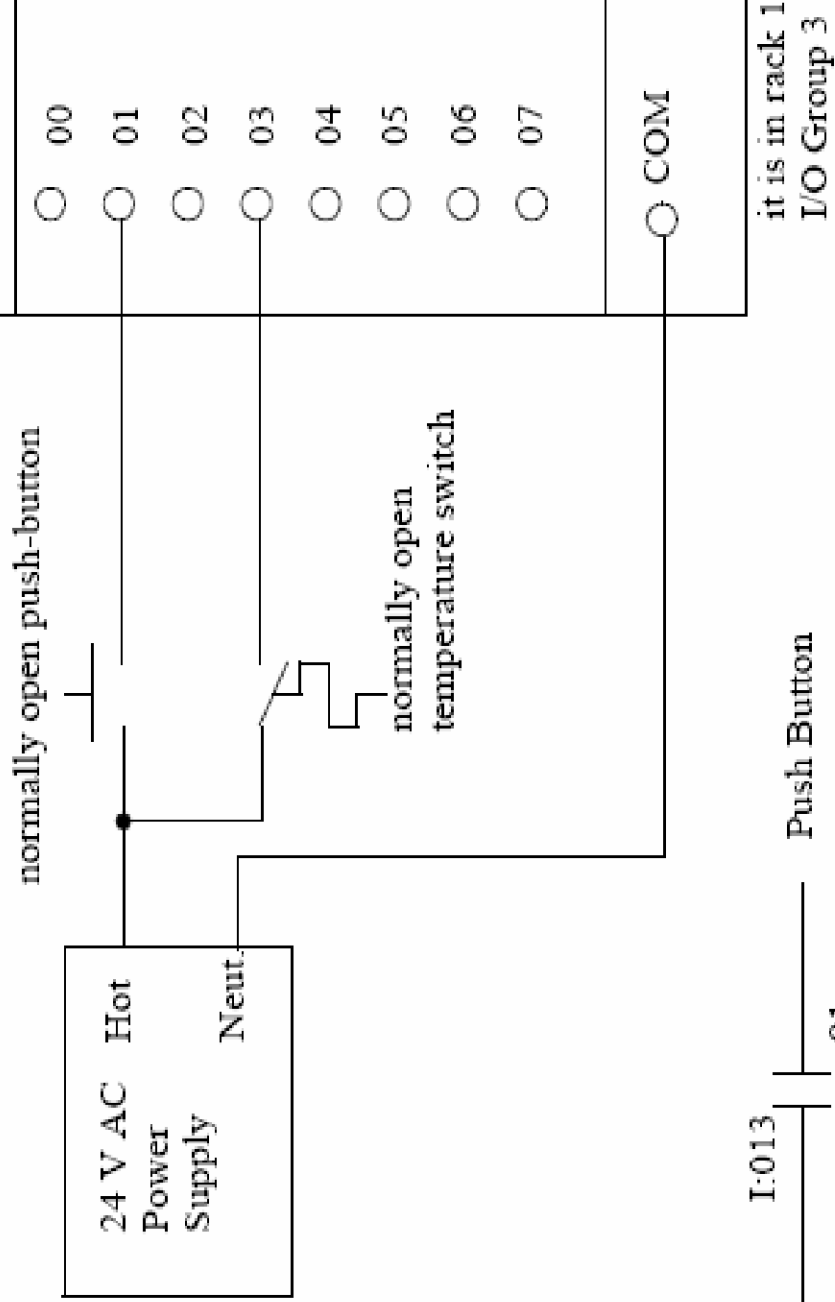
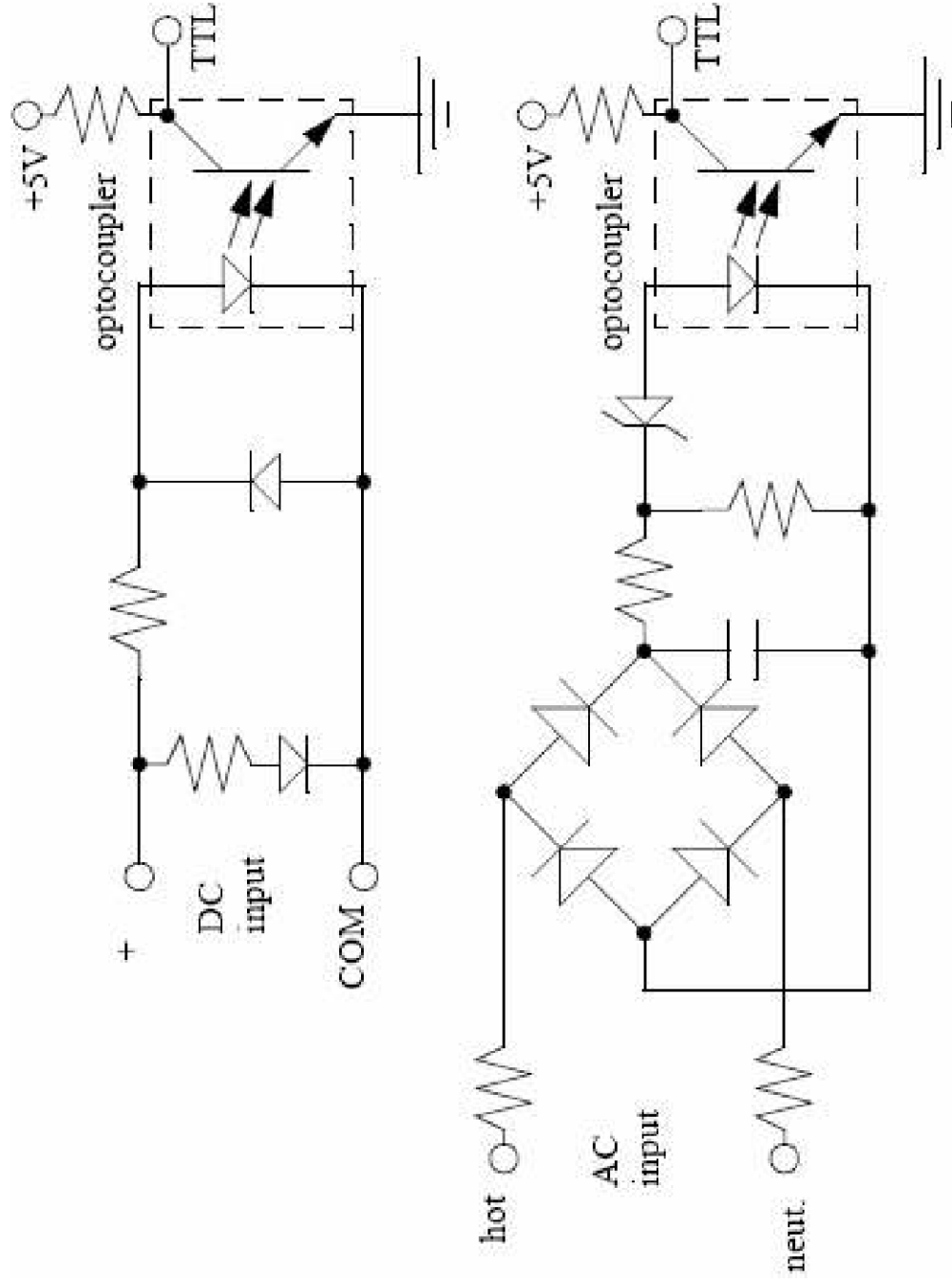


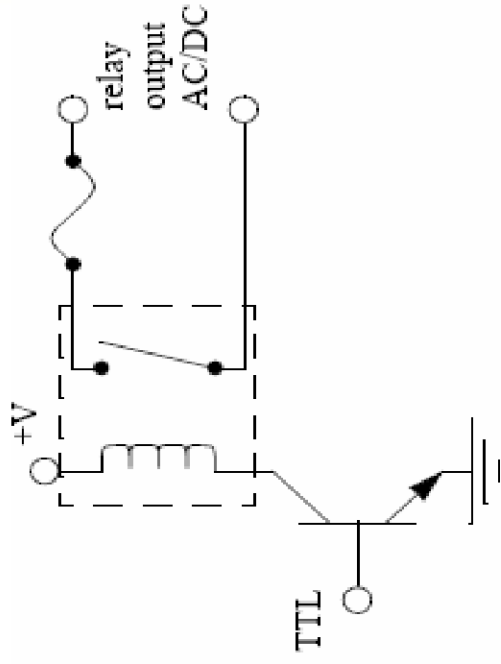
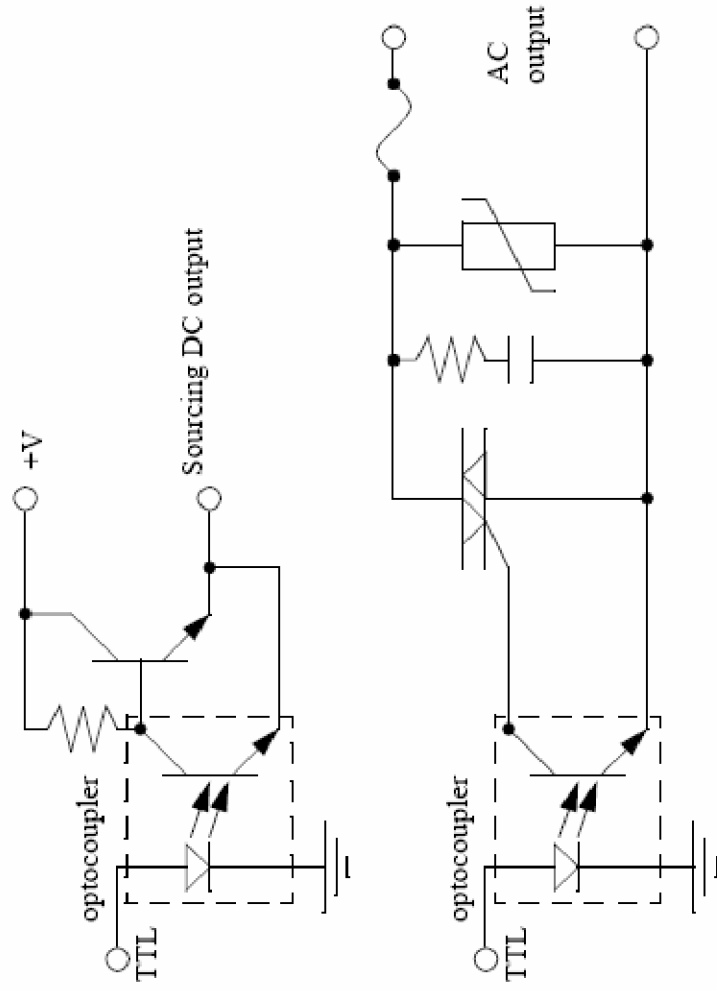
# PLC WIRING (Input)



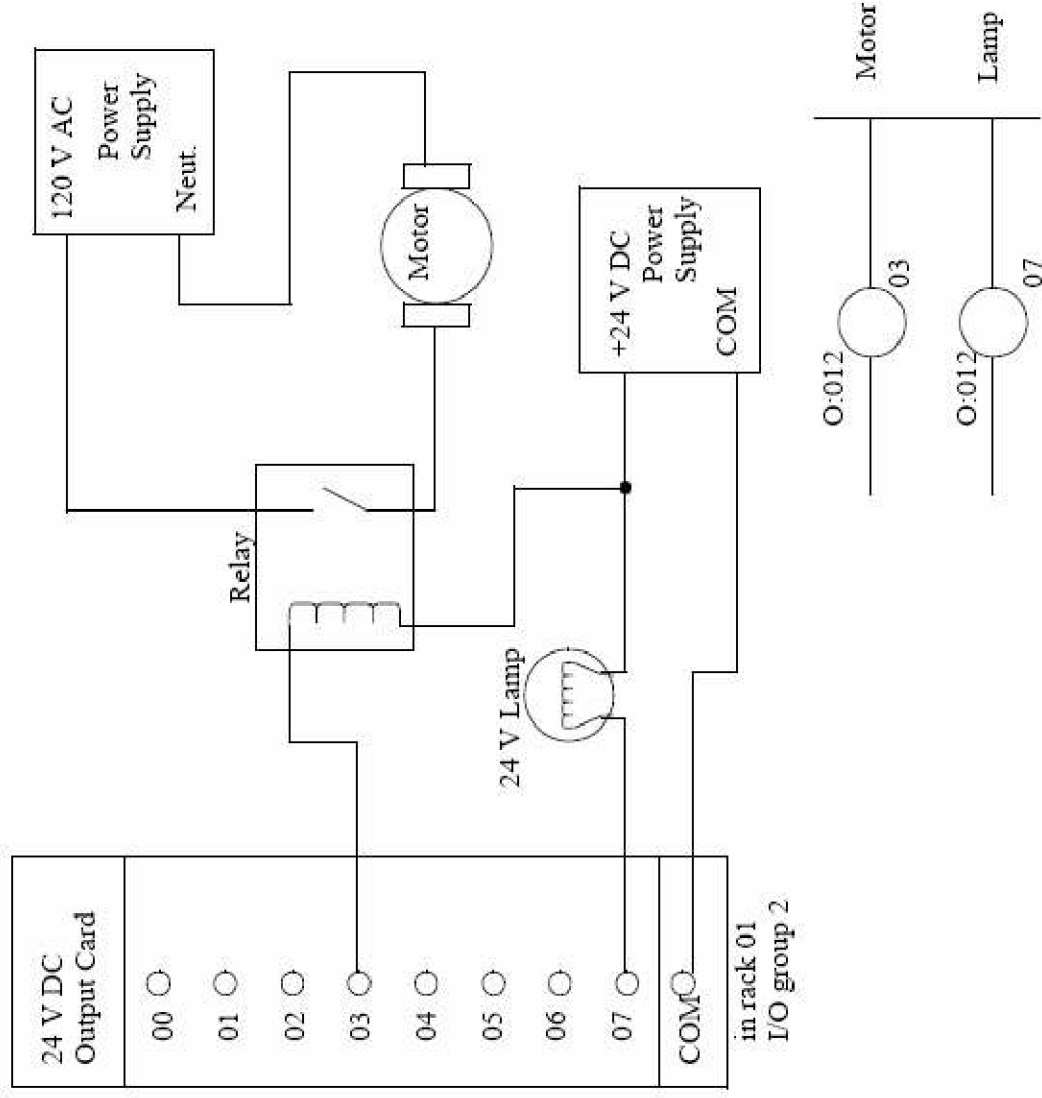
# PLC WIRING (Input)



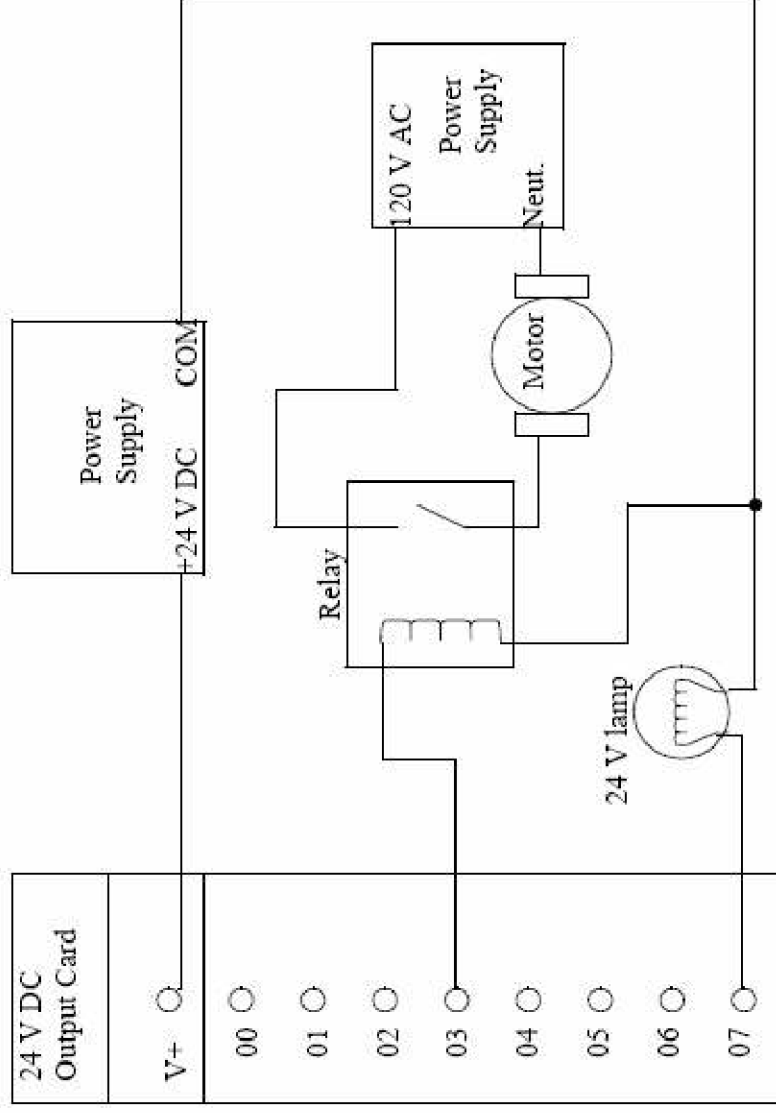
# PLC WIRING (OUTPUT)



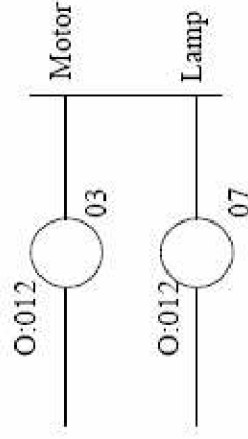
# PLC WIRING (OUTPUT)



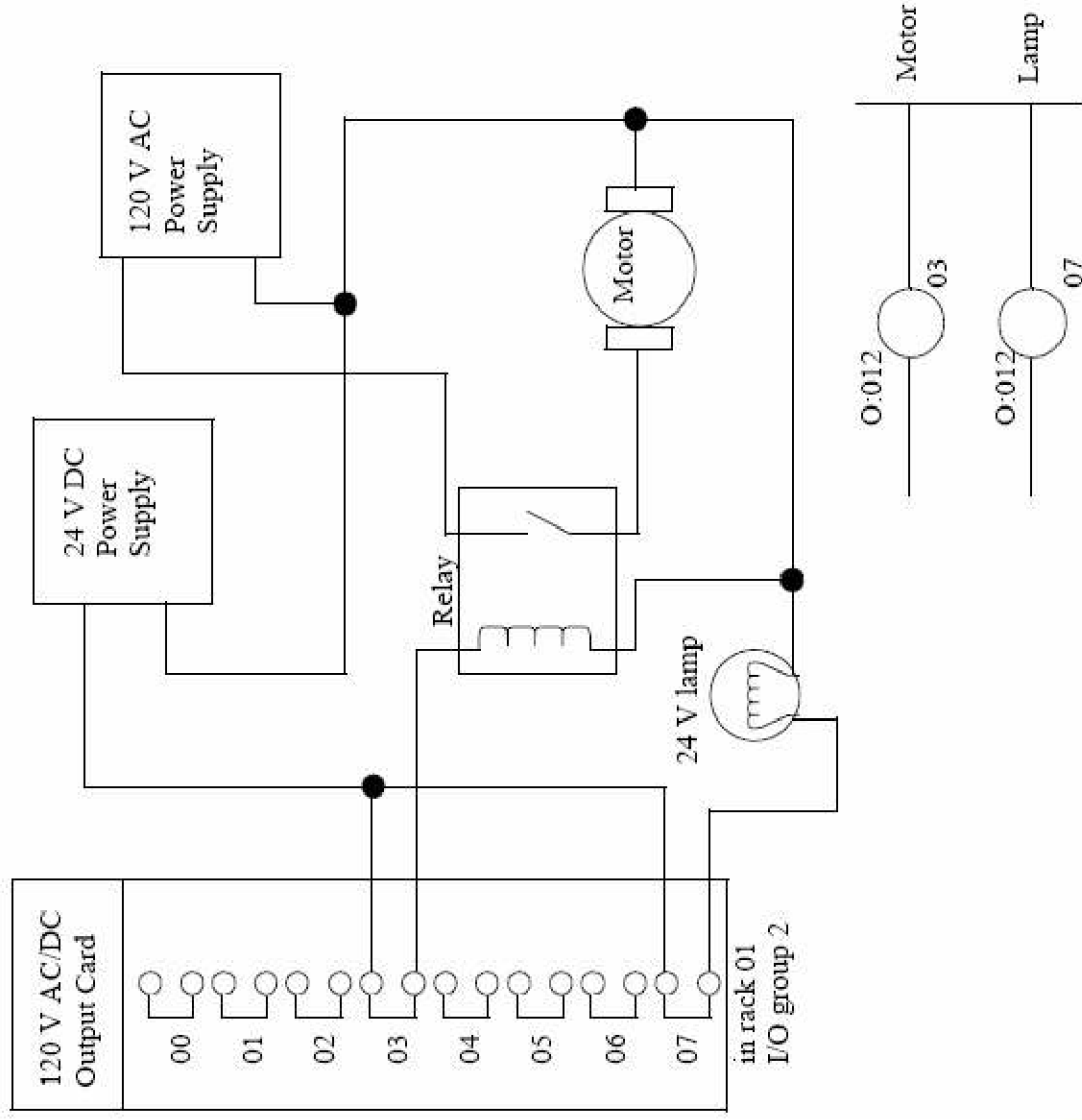
# PLC WIRING (OUTPUT)



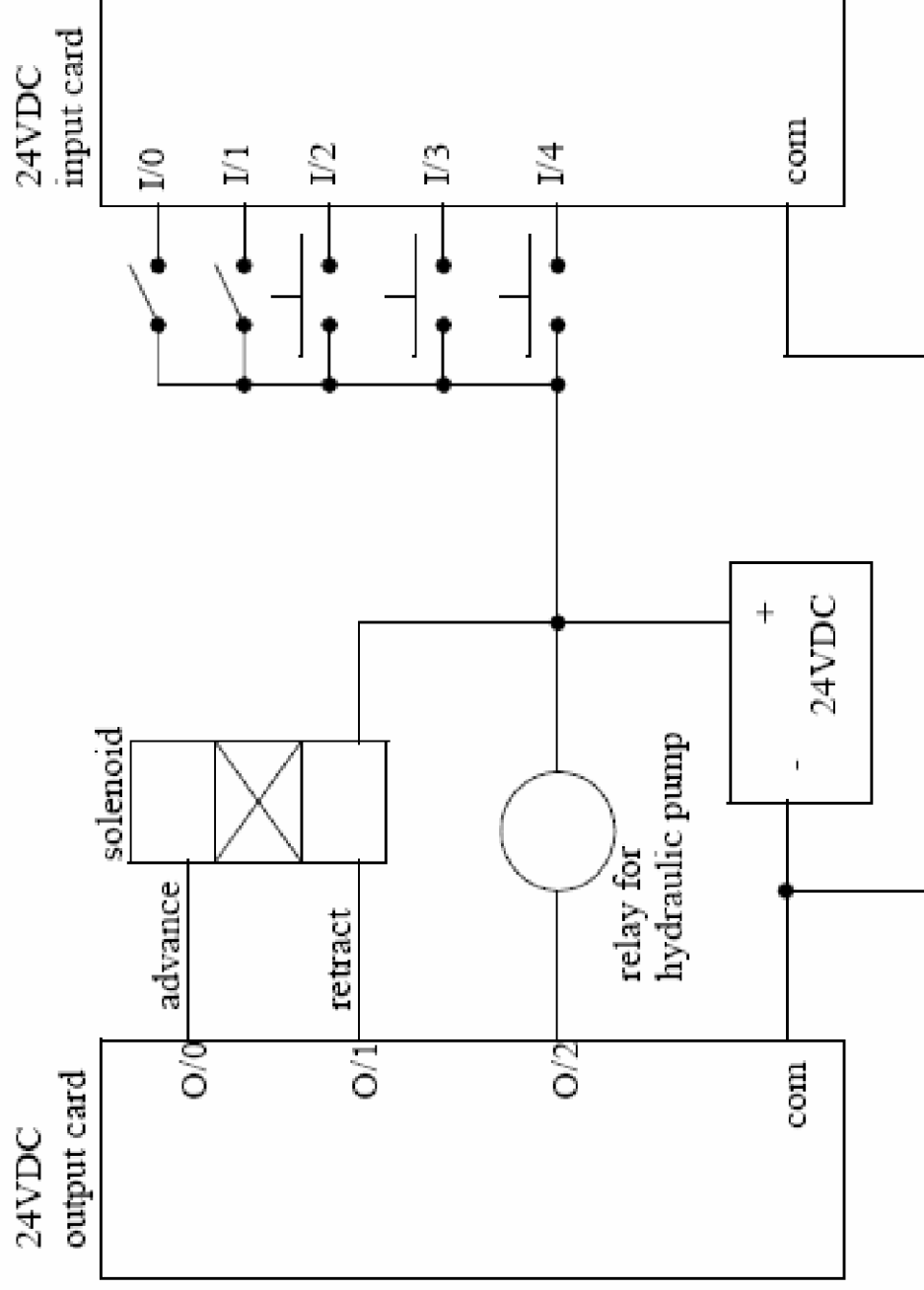
in rack 01  
I/O group 2



# PLC WIRING (OUTPUT)



# PLC WIRING (OUTPUT)



# PLC WIRING DIAGRAM

