

# International Journal of Recent Technology and Engineering

Website: [www.ijrte.org](http://www.ijrte.org)

ISSN: 2277-3878 (online)

Published By Blue Eyes Intelligence Engineering and Sciences Publication



## **Editor-In-Chief**

### **Dr. Shiv Kumar**

Ph.D. (CSE), M.Tech. (IT, Honors), B.Tech. (IT), Senior Member of IEEE, Member of the Elsevier Advisory Panel

CEO, Blue Eyes Intelligence Engineering and Sciences Publication, Bhopal (MP), India

## **Associate Editor-In-Chief**

### **Dr. Takiaddin Al Smadi**

Professor, Department of Communication and Electronics, Jerash Universtiy, Jerash, Jordan

### **Dr. Vo Quang Minh**

Senior Lecturer and Head, Department of Land Resources, College of Environment and Natural Resources (CENRes), Can Tho City, Vietnam.

### **Dr. Stamatis Papadakis**

Lecturer, Department of Preschool Education, University of Crete, Greece.

### **Dr. Ali OTHMAN Al Janaby**

Lecturer, Department of Communications Engineering, College of Electronics Engineering University of Ninevah, Iraq.

### **Dr. Rabiul Ahasan**

Professor, Department of Industrial Engineering, King Saud University, Saudi Arabia.

### **Dr. Hakimjon Zaynidinov**

Professor and Head, Department of Computer Science, Tashkent University of Information Technologies, Uzbekistan.

### **Prof. MPS Chawla**

Ex-Chairman, IEEE MP Sub-Section, India, Professor-Incharge (head)-Library, Associate Professor in Electrical Engineering, G.S. Institute of Technology & Science Indore, Madhya Pradesh, India.

## **Associate Editor-In-Chief Members**

### **Dr. Mayank Singh**

PDF (Purs), Ph.D(CSE), ME(Software Engineering), BE(CSE), SMACM, MIEEE, LMCSI, SMIACSIT  
Department of Electrical, Electronic and Computer Engineering, School of Engineering, Howard College, University of KwaZulu-Natal, Durban, South Africa.

### **Dr. Hitesh Kumar**

Ph.D.(ME), M.E.(ME), B.E. (ME)

Professor and Head, Department of Mechanical Engineering, Technocrats Institute of Technology, Bhopal (MP), India

### **Dr. Anil Kumar Yadav**

Ph.D(ME), ME(ME), BE(ME)

Professor, Department of Mechanical Engineering, LNCT Group of Colleges, Bhopal (M.P.), India

### **Dr. Gamal Abd El-Nasser Ahmed Mohamed Said**

Ph.D(CSE), MS(CSE), BSc(Ee)

Department of Computer and Information Technology , Port Training Institute, Arab Academy for Science, Technology and Maritime Transport, Egypt.

### **Dr. Ahmed Daabo**

Lecturer and Researcher, Department of Mining Engineering, University of Mosul, Iraq

### **Dr. Carlo H. Godoy Jr**

Professor, Department of Support, Human Edge Software Philippines, Philippines

### **Dr. Morteza Pakdaman**

Assistant Professor, Department of CRI, Climatology of Atmospheric Disasters Research Group, Climatological Research Institute (CRI), Mashhad, Iran.

## **Scientific Editors**

### **Prof. (Dr.) Hamid Saremi**

Vice Chancellor of Islamic Azad University of Iran, Quchan Branch, Quchan-Iran

### **Dr. Moinuddin Sarker**

Vice President of Research & Development, Head of Science Team, Natural State Research, Inc., 37 Brown House Road (2nd Floor) Stamford, USA.

### **Prof. (Dr.) Nishakant Ojha**

Principal Advisor (Information & Technology) His Excellency Ambassador Republic of Sudan & Head of Mission in New Delhi, India

### **Dr. Shanmugha Priya. Pon**

Principal, Department of Commerce and Management, St. Joseph College of Management and Finance, Makambako, Tanzania, East Africa, Tanzania

### **Dr. Veronica Mc Gowan**

Associate Professor, Department of Computer and Business Information Systems, Delaware Valley College, Doylestown, PA, Allman, China.

### **Dr. Fadiya Samson Oluwaseun**

Assistant Professor, Girne American University, as a Lecturer & International Admission Officer (African Region) Girne, Northern Cyprus, Turkey.

### **Dr. Robert Brian Smith**

International Development Assistance Consultant, Department of AEC Consultants Pty Ltd, AEC Consultants Pty Ltd, Macquarie Centre, North Ryde, New South Wales, Australia

### **Dr. Durgesh Mishra**

Professor (CSE) and Director, Microsoft Innovation Centre, Sri Aurobindo Institute of Technology, Indore, Madhya Pradesh India

### **Dr. Vinod Kumar Singh**

Associate Professor and Head, Department of Electrical Engineering, S.R.Group of Institutions, Jhansi (U.P.), India

### **Dr. Rachana Dubey**

Ph.D.(CSE), MTech(CSE), B.E(CSE)

Professor, Department of Computer Science & Engineering, Lakshmi Narain College of Technology Excellence (LNCTE), Bhopal (M.P.), India

## **Executive Editor**

### **Dr. Deepak Garg**

Professor, Department Of Computer Science And Engineering, Bennett University, Times Group, Greater Noida (UP), India

## **Executive Editor Members**

### **Dr. Vahid Nourani**

Professor, Faculty of Civil Engineering, University of Tabriz, Iran.

### **Dr. Saber Mohamed Abd-Allah**

Associate Professor, Department of Biochemistry, Shanghai Institute of Biochemistry and Cell Biology, Shanghai, China.

### **Dr. Xiaoguang Yue**

Associate Professor, Department of Computer and Information, Southwest Forestry University, Kunming (Yunnan), China.

### **Dr. Labib Francis Gergis Rofaiel**

Associate Professor, Department of Digital Communications and Electronics, Misr Academy for Engineering and Technology, Mansoura, Egypt.

**Dr. Hugo A.F.A. Santos**

ICES, Institute for Computational Engineering and Sciences, The University of Texas, Austin, USA.

**Dr. Sunandan Bhunia**

Associate Professor & Head, Department of Electronics & Communication Engineering, Haldia Institute of Technology, Haldia (Bengal), India.

**Dr. Awatif Mohammed Ali Elsiddieg**

Assistant Professor, Department of Mathematics, Faculty of Science and Humanities Studies, Elnielain University, Khartoum Sudan, Saudi Arabia.

**Technical Program Committee****Dr. Mohd. Nazri Ismail**

Associate Professor, Department of System and Networking, University of Kuala (UniKL), Kuala Lumpur, Malaysia.

**Technical Program Committee Members****Dr. Haw Su Cheng**

Faculty of Information Technology, Multimedia University (MMU), Jalan Multimedia (Cyberjaya), Malaysia.

**Dr. Hasan. A. M Al Dabbas**

Chairperson, Vice Dean Faculty of Engineering, Department of Mechanical Engineering, Philadelphia University, Amman, Jordan.

**Dr. Gabil Adilov**

Professor, Department of Mathematics, Akdeniz University, Konyaalti/Antalya, Turkey.

**Dr.Ch.V. Raghavendran**

Professor, Department of Computer Science & Engineering, Ideal College of Arts and Sciences Kakinada (Andhra Pradesh), India.

**Dr. Thanhtrung Dang**

Associate Professor & Vice-Dean, Department of Vehicle and Energy Engineering, HCMC University of Technology and Education, Hochiminh, Vietnam.

**Dr. Wilson Udo Udofia**

Associate Professor, Department of Technical Education, State College of Education, Afaha Nsit, Akwa Ibom, Nigeria.

**Dr. Ch. Ravi Kumar**

Dean and Professor, Department of Electronics and Communication Engineering, Prakasam Engineering College, Kandukur (Andhra Pradesh), India.

**Dr. Sanjay Pande MB**

FIE Dip. CSE., B.E, CSE., M.Tech.(BMI), Ph.D.,MBA (HR)

Professor, Department of Computer Science and Engineering, G M Institute of Technology, Visvesvaraya Technological University Belgaum (Karnataka), India.

**Dr. Hany Elazab**

Assistant Professor and Program Director, Faculty of Engineering, Department of Chemical Engineering, British University, Egypt.

**Dr. M.Varatha Vijayan**

Principal, Department of Mechanical Engineering, Mother Terasa College of Engineering and Technology, Pudukkottai (Tamil Nadu) India.

**Dr. S. Balamurugan**

Director, Research and Development, Intelligent Research Consultancy Services (IRCS), Coimbatore (Tamil Nadu), India.

**Dr. Rajalakshmi Rahul**

FIE Dip. CSE., B.E, CSE., M.Tech.(BMI), Ph.D.,MBA (HR)

Founder and CEO Talaash Research Consultants, Chennai (Tamil Nadu), India.

**Reviewer Chair****Dr. Arun Murlidhar Ingle**

Director, Padmashree Dr. Vithalrao Vikhe Patil Foundation's Institute of Business Management and Rural Development, Ahmednagar (Maharashtra) India.

**Members of Reviewer Chair****Dr. J. Gladson Maria Britto**

Professor, Department of Computer Science & Engineering, Malla Reddy College of Engineering, Secunderabad (Telangana), India.

**Dr. Wameedh Riyadh Abdul-Adheem**

Academic Lecturer, Almamoon University College/Engineering of Electrical Power Techniques, Baghdad, Iraq

**Dr. T. Sheela**

Associate Professor, Department of Electronics and Communication Engineering, Vinayaka Mission's Kirupananda Variyar Engineering College, Periyaseeragapadi (Tamil Nadu), India

**Dr. Manavalan Ilakkuvan**

Veteran in Engineering Industry & Academics, Influence & Educator, Tamil University, Thanjavur, India

**Dr. Shivanna S.**

Associate Professor, Department of Civil Engineering, Sir M.Visvesvaraya Institute of Technology, Bengaluru (Karnataka), India

**Dr. H. Ravi Kumar**

Associate Professor, Department of Civil Engineering, Sir M.Visvesvaraya Institute of Technology, Bengaluru (Karnataka), India

**Dr. Pratik Gite**

Assistant Professor, Department of Computer Science and Engineering, Institute of Engineering and Science (IES-IPS), Indore (M.P), India

**Dr. S. Murugan**

Professor, Department of Computer Science and Engineering, Alagappa University, Karaikudi (Tamil Nadu), India

**Dr. S. Brilly Sangeetha**

Associate Professor & Principal, Department of Computer Science and Engineering, IES College of Engineering, Thrissur (Kerala), India

**Dr. P. Malyadri**

Professor, ICSSR Senior Fellow Centre for Economic and Social Studies (CESS) Begumpet, Hyderabad (Telangana), India

**Dr. K. Prabha**

Assistant Professor, Department of English, Kongu Arts and Science College, Coimbatore (Tamil Nadu), India

**Dr. Liladhar R. Rewatkar**

Assistant Professor, Department of Computer Science, Prerna College of Commerce, Nagpur (Maharashtra), India

**Dr. Raja Praveen.N**

Assistant Professor, Department of Computer Science and Engineering, Jain University, Bengaluru (Karnataka), India

**Dr. Issa Atoum**

Assistant Professor, Chairman of Software Engineering, Faculty of Information Technology, The World

Islamic Sciences & Education University, Amman- Jordan

**Dr. Balachander K**

Assistant Professor, Department of Electrical and Electronics Engineering, Karpagam Academy of Higher Education, Pollachi (Coimbatore), India

**Dr. Sudhan M.B**

Associate Professor & HOD, Department of Electronics and Communication Engineering, Vins Christian College of Engineering, Anna University, (Tamilnadu), India

**Dr. T. Velumani**

Assistant Professor, Department of Computer Science, Kongu Arts and Science College, Erode (Tamilnadu), India

**Dr. Subramanya.G.Bhagwath**

Professor and Coordinator, Department of Computer Science & Engineering, Anjuman Institute of Technology & Management Bhatkal (Karnataka), India

**Dr. Mohan P. Thakre**

Assistant Professor, Department of Electrical Engineering, K. K. Wagh Institute of Engineering Education & Research Hirabai Haridas Vidyanageri, Amrutdham, Panchavati, Nashik (Maharashtra), India

**Dr. Umar Lawal Aliyu**

Lecturer, Department of Management, Texila American University Guyana USA.

**Dr. K. Kannan**

Professor & Head, Department of IT, Adhiparasakthi College of Engineering, Kalavai, Vellore, (Tamilnadu), India

**Dr. Murthy S V N**

Associate Professor, Department of Computer Science & Engineering, S J C Institute of Technology, Chickballapur (Karnataka), India

**Dr. Vijayalakshmi Palaniappan**

Associate Professor, Department of Computer Science & Engineering, Gnanamani College of Technology, Samuthiram, Pachal, Namakkal (Tamilnadu), India

**Dr. Ashok G. Matani**

Professor, Department of Mechanical Engineering, Govt. College of Engineering, Amravati (M.S), India

**Dr. Ankam Raghavendra Rao**

Associate Professor, Department of Physics, KKR & KSR Institute of Technology and Sciences, Guntur (A.P), India

**Dr. Safiqur Rahman**

Assistant Professor, Department of Geography, Guwahati College Bamunimaidam Guwahati, Kamrup (Assam), India.

**Dr. Priyanka Singh**

Assistant Professor, Department of Civil Engineering, Amity University, Noida (U.P), India.

**Dr. Kumar Abhishek**

Assistant Professor, Department of Mechanical Engineering, Institute of Infrastructure, Technology, Research and Management (IITRAM), Ahmedabad (Gujarat), India.

**Dr. Suresh Vellingiri**

Professor, Department of Mechanical Engineering, Holy Mary Institute of Technology & Science, Kondapur (Telangana), India.

**Dr. Mohammad Mahdi Mansouri**

Associate Professor, Department of High Voltage Substation Design & Development, Yazd Regional Electric Co., Yazd Province, Iran.

**Dr. Varaha Narasimha Raja CH**

Associate Professor, Department of Electronics and Electrical Engineering, Anil Neerukonda Institute of Technology & Sciences, Sanghivalasa, Visakhapatnam (Andhra Pradesh), India.

**Dr. Khyati Chopra**

Assistant Professor, Department of Electronics and Electrical Engineering, School of Engineering GD Goenka University, Gurgaon (Haryana), India.

**Dr. A R Pradeep Kumar**

Professor and Head, Department of Mechanical Engineering, Dhanalakshmi College of Engineering, Chennai (Tamil Nadu), India.

**Dr. Kaushik Pal**

Youngest Scientist Faculty Fellow (Independent Researcher), (Physicist & Nano Technologist), Suite.108 Wuhan University, Hubei, Republic of China.

**Dr. H. Joseph Prabhakar Williams**

Professor, Department of Electronics and Communication Engineering, Sri Indu College of Engineering and Technology, Sheriguda (V), Ibrahimpatnm (M), Hyderabad (Telangana), India.

**Dr. Paul P. Mathai**

Assistant Professor (Sr. Grade), Department of Computer Science & Engineering, Federal Institute of Science & Technology, Kottappady (Kerala), India.

**Dr. Vejendla Lakshman Narayana**

Associate Professor, Department of Computer Science & Engineering, Vignan's Nirula Institute of Technology and Science for Women, Guntur (A.P), India.

**Dr. Wan Aezwani Wan Abu Bakar**

Lecturer, Faculty of Informatics & Computing, Universiti Sultan Zainal Abidin (Uni SZA), Terengganu, Malaysia.

**Dr. P. Sumitra**

Professor, Vivekanandha College of Arts and Sciences for Women (Autonomous), Elayampalayam, Namakkal(DT), Tiruchengode-637205, (Tamil Nadu), India.

**Dr. H. R. Laskar**

Assistant Professor, Department of Business Administration, Assam (Central) University, Silchar, (Assam), India.

**Dr. Vaibhav R. Bhedi**

Associate Professor, Department of MCA, VMV Commerce, JMT Arts and JJP Science College, Wardhaman Nagar, Nagpur, (M.H), India.

**Dr. M. Ramajayam**

Assistant Professor, Faculty of General & Adapted Physical Education and Yoga, Periyanaickenpalayam, Coimbatore (Tamilnadu), India.

**Dr. Vineet Shibe**

Assistant Professor, Department of Mechanical Engineering, Baba Hira Singh Bhattal Institute of Engineering & Technology, Lehragaga (Punjab), India.

**Dr. Syed Omar Ballari**

Professor, Department of Civil Engineering, Anurag Group of Institutions An Autonomous Institution NAAC-A Grade Institute, Hyderabad, India.

**Dr. Siamak Hosseinzadeh**

Professor, Department of Mechanical and Aeronautical Engineering, University of Pretoria, South Africa.

**Dr. Rahul Vishwanath Dandage**

Assistant Professor, Department of Mechanical Engineering, Rajendra Mane College of Engineering and Technology, Ambav, Ratnagiri (Maharashtra), India.

**Dr. S. Devikala Rameshbabu**

Principal & Professor, Department of Electronics and Electrical Engineering, Bharath College of Engineering and Technology for Women Kadapa, (Andra Pradesh), India.

**Dr. V. Lakshman Narayana**

Associate Professor, Department of Computer Science and Engineering, Vignan's Nirula Institute of Technology & Science for women, Guntur, (Andra Pradesh), India.

**Dr. Ashok Matani**

Professor, Department of Mechanical Engineering, Govt. College of Engineering, Amravati- (M.S.)- India.

**Dr. K. Kannan**

Professor, Department of Computer Science Engineering, Audi Sankara College of Engineering and Technology, Gudur – 524 101, Nellore (AP), India.

**Dr. Vinod A. S.**

Assistant Professor, Department of Commerce and Research Center, Mahatma Gandhi College Trivandrum (Kerala), India.

**Dr. Thulasi Bikku**

Associate Professor, Department of Computer Science and Engineering, Vignan's Nirula Institute of Technology and Science for Women, Palakaluru (A.P), India.

**Dr. B. S. Krishnamoorthy**

Assistant Professor, Department of Chemistry, Vivekanandha College of Arts and Sciences for Women (Autonomous) Elayampalayam, Tiruchengode, Namakal (Tamil Nadu), India.

**Dr. Mangesh R.Phate**

Associate Professor, Department of Mechanical Engineering, All India Shri Shivaji Memorial Society's, College of Engineering, Shivaji Nagar, Pune (M.H), India.

**Dr. Mangesh R.Phate**

Associate Professor, Department of Mechanical Engineering, All India Shri Shivaji Memorial Society's, College of Engineering, Shivaji Nagar, Pune (M.H), India.

**Dr. A. Ashok Kumar**

Assistant Professor, Department of Computer Science, Alagappa Government Arts College, Karaikudi (Tamil Nadu), India.

**Dr. Ramarao.M**

Associate Professor, Department of Mechanical Engineering, Brilliant Institute of Engineering & Amp Technology Abdullapur (V), Hayathnagar, Hyderabad, India.

**Dr. Mayanka Sharma**

Professor and Head of Research Center, Sai Balaji International Institute of Management Sciences, Pune (Maharashtra), India.

**Dr. T. Venkat Narayana Rao**

Professor, Department of Computer Science and Engineering, Sreenidhi Institute of Science & Technology, Hyderabad (Telangana), India.

**Dr. Vinay Dwivedi**

Professor, Department of Biotechnology, Naraina Group of Institution, Kanpur (U.P), India.

**Dr. Priya Makhija**

Associate Professor, Department of Commerce and Management, CMS-Jain University, Bangalore (Karnataka), India.

**Dr. Dharmesh Kumar Srivastava**

Associate Professor & Head, Department of Electronic Engineering, S.R. Institute of Management and Technology, Lucknow (U.P), India.

**Dr. Vijay Kumaar Sinha**

Professor, Department of Computer Science & Engineering, Chandigarh Engineering College, Landran,



Mohali (Punjab), India.

**Dr. Ganesh Babu Katam**

Faculty, Department of Mechanical Engineering, National Institute of Technology, Andhra Pradesh, Tadepalligudem (A.P), India.

**Dr. N. Chitradevi**

Assistant Professor, Department of Management, School of Management Hindustan University, Chennai (Tamil Nadu), India.

**Dr. P. Sriramakrishnan**

Assistant Professor, Department of Computer Applications, Kalasalingam Academy of Research and Education (Deemed to be University), Krishnankoil, Virudhunagar, (Tamil Nadu), India.

**Dr. S. Ramkumar**

Associate Professor, School of Computing, Department of Computer Applications, Kalasalingam Academy of Research and Education, Krishnankoil, Sirivilliputhur, (Tamil Nadu), India.

**Dr. Rohit Bansal**

Assistant Professor, Department of Management Studies, Vaish College of Engineering, Rohtak (Haryana), India.

**Dr. Selvakumar R**

Assistant Professor, Department of Electronics and Communication Engineering, Koneru Lakshmaiah Education Foundation, Vijayawada (A.P), India.

**Dr. T. Velumani**

Assistant Professor, Department of Computer Science, Kongu Arts and Science College(Autonomous), Erode (Tamil Nadu), India.

**Dr. Ramachandra C. G**

Professor, Department of Mechanical Engineering, School of Engineering Presidency University, Itgalpur, Rajanakunte, Bengaluru(Karnataka), India.

**Dr. Vishnu Narayan Mishra**

Associate Professor & Head, Department of Mathematics, Indira Gandhi National Tribal University, Lalpur, Amarkantak (Madhya Pradesh), India.

**Dr. B. Gopinath**

Professor, Department of Electrical and Electronics Engineering, Vivekanandha College of Technology for Women, Tiruchengode, Salem (Tamil Nadu), India.

**Dr. Ho Soon Min**

Associate Professor, Department of Chemistry, INTI International University, Jln BBN 12/1, Bandar Baru Nilai, 71800 Negeri Sembilan, Malaysia.

**Dr. K.V.L.N. Acharyulu**

Associate Professor, Department of Mathematics, Bapatla Engineering College, Bapatla, Guntur (A.P), India.

**Dr. P. Uma**

Faculty of Management Studies, Founder , Unique Research & Consutancy Services, Madurai (Tamil Nadu), India.

**Dr. Chandan Medatwal**

Assistant Professor, OB HR and Soft Skills, NIIT University, NH-8, Neemrana, Alwar (Rajasthan), India.

**Dr. B. S. Sathish**

Professor, Department of Electronics and Communication Engineering, Ramachandra College of Engineering, Vatluru (Andhra Pradesh), India.

**Dr. Mehul Patel**

Assistant Professor, Department of ACRIIL, C P Patel & F H Shah Commerce College, Anand (Gujarat), India.

**Dr. Yuriy Pyvovar**

Professor, Head of Department, National Aviation University, Kyiv, Ukraine, Europe.

**Dr. Saikat Gochhait**

Sr. Assistant Professor, Department of Business Management, National Dong Hwa University, Taiwan.

**Dr. Abhishek Das**

Associate Professor and Head, Department of Computer Science Engineering, Aliah University, Kolkata, (West Bengal), India.

**Dr. Umesh Sehgal**

Associate Professor, Department of Computational Science, GNA University, Sri Hargobindgarh (Punjab), India.

**Dr. Ayush Dogra**

Senior Research, Department of Electronics and Communication Engineering, University Institute of Engineering and Technology, Panjab University (Punjab), India.

**Dr. Sameer Babu M**

Assistant Professor, Department of Education, University of Kerala, Trivandrum (Kerala), India.

**Dr. B. Ramesh**

Professor & Head, Department of Mechanical Engineering, Sri Muthukumaran Institute of Technology Chikkarayapuram Chennai (Tamil Nadu), India.

**Dr. Nehru Kandasamy**

Research Fellow, Department of Electrical and Computer Engineering, National University of Singapore, Singapore.

**Dr. Ali Atef Masria**

Assistant Professor, Department of Civil Engineering, College of Engineering, Jouf University, Kingdom of Saudi Arabia.

**Dr. Sadashiv S. Mugali**

Assistant Professor, Department of History, Rani Channamma University, Belagavi (Karnataka), India.

**Dr. Pokkuluri Kiran Sree**

Professor, Department of Computer Science and Engineering, Shri Vishnu Engineering College for Women Autonomous, Bhimavaram (Andhra Pradesh), India.

**Dr. Sreejith Vignesh B.P**

Associate Professor and Head, Department of Management Studies, J.K.K. Nattraja Educational Institutions, Natarajapuram, Komarapalayam (Tamil Nadu), India.

**Dr. Prathyusha Kuncha**

Associate Professor and Head, Department of Electronics and Communication Engineering, Nri Institute of Technology, Pothavarappadu, Krishna, Vijayawada (A.P), India.

**Dr. Mohankumar Namdeorao Bajad**

Professor, Department of Civil Engineering, Sinhgad College of Engineering, Vadgaon (Budruk), Pune (Maharashtra), India.

**Dr. P. Timothy**

Associate Professor & Head, Department of Mechanical Engineering, Miracle Educational Society Group of Institutions Bhogapuram, Vizianagaram (A.P), India.

**Dr. M V Bramhananda Reddy**

Principal, Department of Computer Science & Engineering, Sai Rajeswari Institute of Technology, JNTUA, Anantapur (Andhra Pradesh), India.

**Dr. Hao Yi**

Assistant Professor, Department of Mechanical Engineering, Chongqing University, China.

**Dr. M.Rajmal Joshi**

Associate Professor, Department of Electrical and Electronics Engineering, Panimalar Engineering College, Chennai (Tamil Nadu), India.

**Dr. S. Hemalatha**

Associate Professor, Department of Commerce, AMET University, Kanathur (Tamil Nadu), India.

**Dr. Nageswara Rao Moparthy**

Professor, Department of Computer Science and Engineering, K L University, Vaddeswaram, (Andhra Pradesh), India.

**Dr. Jami Venkata Suman**

Assistant Professor, Department of Electronics & Communication Engineering, GMR Institute of Technology, Razam (Andhra Pradesh), India.

**Dr. M. Navaneetha Krishnan**

Vice Principal and Head, Department of Computer Science and Engineering, St. Joseph College of Engineering, Chennai (Tamil Nadu), India.

**Dr. Ajay B Gadicha**

Assistant Professor, Department of Computer Science and Engineering, P. R. Pote College of Engineering and Management, Amravati (Maharashtra), India.

**Dr. S. Thanigaivel**

Assistant Professor, Department of Biotechnology, Saveetha Institute of Medical and Technical Sciences (Saveetha University) Kuthambakkam (Tamil Nadu), India.

**Dr. P. Rahul Reddy**

Associate Professor, Department of Electronics and Communication Engineering, Geethanjali Institute of Science and Technology Gangavaram, Nellore (Andhra Pradesh), India.

**Dr. K. Hussain**

Associate Professor and Head, Department of Electrical Engineering, Sharad Institute of Technology, College of Engineering, Yadrav (Maharashtra), India.

**Dr. Satish Geeri**

Associate Professor, Department of Mechanical Engineering, Pragati Engineering College, Surampalem (Andhra Pradesh), India.

**Dr. Aqueel Ahmed A. Jalil**

Principal, Department of Mechanical Engineering, Radhai Mahavidyalaya, Aurangabad (Maharashtra), India.

**Dr. K. Sathiyasekar**

Professor, Department of Electronics & Electrical Engineering, Prathyusha Engineering College, Chennai (Tamil Nadu), India.

**Dr. A Kishore Reddy**

Associate Professor, Department of Electronics and Communication Engineering, Geethanjali Institute of Science and Technology, Gangavaram, Nellore (Tamil Nadu), India.

**Dr. Omid A. Yamini**

Professor, Department of Civil Engineering, K. N. Toosi University of Technology, Vali Asr Street, Mirdamad Intersection, Tehran, Iran.

**Dr. Atul Kumar**

Associate Professor, Department of Computer Science and Engineering, Shri Ram Swaroop Memorial Group of Professional Colleges Luknow (U.P), India.

**Dr. C. Vijai**

Assistant Professor, Department of Commerce, St.Peter's Institute of Higher Education and Research, Avadi, Chennai (Tamil Nadu), India.

**Dr. B. Vinoth**

Assistant Professor and Head, Department of Mechanical Engineering, Mangayarkarasi College of

Engineering, Madurai (Tamil Nadu), India.

**Dr. M Vara Prasad Rao**

Professor, Department of Computer Science and Engineering, CMR Technical Campus (Autonomous) Hyderabad (Telangana), India.

**Dr. Manoj Sharma**

Assistant Professor and Head, Department of Mathematics, Rustamji Institute of Technology, BSF Academy Tekanpur, Gwalior (M.P), India.

**Dr. S. Balaji**

Assistant Professor, Department of Computer Science and Engineering, Panimalar Engineering College, Chennai (Tamil Nadu), India.

**Dr. M. R. Arun**

Professor, Department of Computer Applications, PSG College of Technology, Peelamedu, Coimbatore (Tamil Nadu), India.

**Dr. V.D.N. Kumar Abbaraju**

Assistant Professor, Department of Chemistry, Gitam Institute of Technology Gitam University Visakhapatnam (A.P), India.

**Dr. Mallikarjuna Reddy Doodipala**

Professor, Department of Mathematics, GITAM University-Hyderabad Campus Rudraram Village, Patan Cheru Mandal Medak Hyderabad (Telangana), India.

**Dr. B. Venkata Prasanth**

Professor and Principal, Department of Electronics & Electrical Engineering, Sree Dattha Group of Institutions, Sheriguda (Telangana), India.

**Dr. C. Gokul**

Associate Professor, Department of Electronics & Electrical Engineering, Velalar College of Engineering and Technology, Erode (Tamil Nadu), India.

**Dr. Lakshmi Narayana Thalluri**

Assistant Professor, Department of Electrical Communication Engineering, Andhra Loyola Institute of Engineering and Technology, Vijayawada (A.P), India.

**Dr. Kshirod Sarmah**

Assistant Professor & HOD, Department of Computer Science, Pandit Deendayal Upadhaya Adarsha Mahavidyalaya, Amjonga, Goalpara (Assam), India.

**Dr. Ramu Nagarajapillai**

Professor, Department of Commerce, Annamalai University Chidambaram (Tamil Nadu), India.

**Dr. Anand Kishore Kola**

Professor, Department of Chemical Engineering, National Institute of Technology, Warangal (Telangana), India.

**Dr. Shrikant M. Harle**

Assistant Professor, Department of Civil Engineering, Prof Ram Meghe College of Engineering & Management, Amravati (Maharashtra), India.

**Dr. T. Phani Madhavi**

Associate Professor & Head, Department of Civil Engineering, Narasaraopeta Engineering College (Autonomous) Narasaraopet, Guntur (A.P), India.

**Dr. B. Anil Kumar**

Associate Professor, Department of Electronics & Communication Engineering, Gokaraju Rangaraju Institute of Engineering & Technology (Autonomous), Hyderabad (Telangana), India.

**Dr. Ashish Karn**

Assistant Professor, Department of Mechanical Engineering, University of Petroleum and Energy Studies Bidholi, Dehradun (Uttarakhand), India.

**Dr. Umesh Gupta**

Associate Professor, Department of Mechanical Engineering, Vaish College of Engineering, Rohtak, (Haryana), India.

**Dr. R.G.D' Souza**

Professor & Principal, Department of Civil Engineering, Yenepoya Institute of Technology Mijar, Thodar Moodbidri (Karnataka), India.

**Dr. Shekhar R**

Associate Professor, Department of Computer Science & Engineering, Alliance college of Engineering and Design, Alliance University, Bangalore (Karnataka), India.

**Dr. M. Kavitha**

Associate Professor, Department of Mathematics, KPR Institute of Engineering and Technology, Coimbatore (Tamil Nadu), India.

**Dr. G. K. Awari**

Professor & Head, Department of Automobile Engineering, Government Polytechnic, Nagpur, (Maharashtra), India.

**Dr. K. S. Meenakshisundaram**

Former Director, Crescent School of Business, Crescent University, Chennai (Tamil Nadu), India.

**Dr. Karthikeyan Parthasarathy**

Assistant Professor, School of Management Studies, Kongu Engineering College Erode (Tamil Nadu), India.

**Dr. Ramani Kannan**

Senior Lecturer, Department of Electrical and Electronics Engineering, Center for Smart Grid Energy Research, Institute of Autonomous system. Universiti Teknologi PETRONAS (UTP), Malaysia.

**Dr. Somnath Thigale**

Assistant Professor, Department of Computer Science and Engineering, SKN Sinhgad COE Korti-Pandharpur (Maharashtra), India.

**Dr. Giriraj Kumar Prajapati**

Professor, Department of Electronics Communication Engineering, Sree Chaitanya Institute of Technological Sciences, Karimnagar (Telangana), India.

**Dr. M. Madhiarasan**

Assistant Professor, Department of Electrical and Electronics Engineering, Bharat Institute of Engineering and Technology, Hyderabad, (Telangana), India.

**Dr. R. K. Bathla**

Professor, Department of Computer Science & Engineering, Madhav University, Rajasthan, India.

**Dr. G. Venkata Rama Subbarao**

Associate Professor, Department of Civil Engineering, Velagapudi Ramakrishna Siddhartha Engineering College, Kanuru, Vijayawada (Andhra Pradesh), India.

**Dr. Vijay Kumar Sinha**

Associate Professor, Department of Computer Science & Engineering, Chandigarh Engineering College, Landran, Mohal (Punjab), India.

**Dr. T. Muthumanickam**

Professor and Head, Department of Electronics and Communication Engineering, Vinayaka Mission's Kirupananda Variyar Engineering College, Periyaseeragapadi (Tamil Nadu), India.

**Dr. Suneel Kumar Singh**

Associate Professor & Controller of Examination & Nodal Officer, Red Ribbon Club, Department of Science Modern Institute of Technology Dhalwala, Rishikesh (Uttarakhand), India.

**Dr. M. Vamshi Krishna**

Associate Dean SOET & H.O.D, Department of Electronics & Communication Engineering, Centurion University of Technology & Management Paralakhemundi, Odisha, India.

**Dr. R. Padmavathi**

Assistant Professor, Department of Chemistry, Sree Sastha Institute of Engineering and Technology, Chennai (Tamil Nadu), India.

**Dr. B. Kavitha Rani**

Professor, Department of Computer Science & Engineering, CMR Technical Campus Kandlakoya (V), Medchal (M), Hyderabad (Telengana), India.

**Dr. Srinivas Konda**

Professor, Department of Computer Science & Engineering, CMR Technical Campus Kandlakoya (V), Medchal (M), Hyderabad (Telengana), India.

**Dr. Keyur D. Bhatt**

Professor & Head, Department of Chemistry, Mehsana Urban Institute of Sciences, Ganpat University, Kherva (Gujarat), India

**Dr. Appala Srinivasu Mutipati**

Associate Professor, Department of Computer Science and Engineering, Raghu Institute of Technology, Dakamarri, Visakhapatnam (A.P.), India

**Dr. Froilan D. Mobo**

Associate Professor, Designated Assistant Unit Head for General Education Unit, Philippine Merchant Marine Academy, San Narciso, Zambales

**Dr. Jaya Christiyen K.G**

Professor, Department of Mechanical Engineering, Ramaiah Institute of Technology, Bangalore (Karnataka), India

**Dr. Dipti Ranjan Malik**

Assistant Professor, Department of Sociology, NIMS University, Jaipur (Rajasthan), India

**Dr. Vijaya Lakshmi Pothuraju**

Associate Professor, Department of MBA, CMR College of Engineering & Technology, (Autonomous) Kandlakoya, Hyderabad, India

**Dr. Ahmmed S. Ibrehem**

Assistant Professor, Department of Chemical Engineering, Dhofar University, Salalah, Oman

**Dr. K. G. Durga Prasad**

Professor & Head, Department of Mechanical Engineering, Technical Campus, GVP College for Degree & P.G.Courses, Rushikonda, Visakhapatnam (Andhra Pradesh), India

**Dr. Sucheta Ghorai Giri**

Assistant Professor, Department of Microbiology, Parul Institute of Applied Sciences, Parul University, Limda, Vadodara (Gujarat), India

**Dr. K. Narendra Kumar**

Associate Professor, Department of Computer Science & Engineering, Chalapathi Institute of Engineering and Technology, Lam, (Andhra Pradesh), India

**Dr. B. Suresh Babu**

Professor, Department of Electrical & Electronics Engineering, Shri Vishnu Engineering College for Women Vishnupur, Bhimavaram (Andhra Pradesh), India

**Dr. A. Akila**

Assistant Professor, Department of Computer Engineering, Vels Institute of Science, Technology & Advanced Sciences, Pallavaram, Chennai (Tamil Nadu), India

**Dr. R. Parameswari**

Associate Professor, Department of Computer Engineering, Vels Institute of Science, Technology & Advanced Sciences, Pallavaram, Chennai (Tamil Nadu), India

**Dr. Dipak Gade**

Program Manager, Department of Computer Engineering, IGATE Solutions Ltd., Pune (Maharashtra), India

**Dr. K. Mohan Das**

Professor & Head, Department of Civil Engineering, Ashoka Institute of Engineering and Technology, Hyderabad (Telangana), India

**Dr. Hitesh V. Paghadar**

Associate Professor, Department of Electrical Engineering, OM Engineering College, Chokli (Gujarat), India

**Dr. P. Prathap**

Professor, Department of Mechanical Engineering, Hindusthan Institute of Technology, Malumichampatty (Tamil Nadu), India

**Dr. A. V. Senthil Kumar**

Director, Department of Masters in Computer Application, Hindusthan College of Arts and Science, Coimbatore (Tamil Nadu), India

**Dr. Rishi Kumar**

Assistant Professor, Department of Science, Guru Nanak College, Budhlada (Punjab), India

**Dr. Surya Nagendra Pentakota**

Associate Professor, Department of Mechanical Engineering, Nadimpalli Satyanarayana Raju Institute of Technology, Visakhapatna, (Andhra Pradesh), India

**Dr. Santanu Koley**

Associate Professor, Department of Computer Science and Engineering, Budge Budge Institute of Technology, Nischinta Pur, (West Bengal), India

**Dr. Madhuri C. Hingane**

Assistant Professor, Department of Computer Science, Pune District Education Association's College of Engineering, Pune (Maharashtra), India

**Dr. M. M. Bagali**

Professor and Head, Department of MBA, Acharya Institute of Technology, Bangalore (Karnataka), India

**Dr. Mayank Jain**

Professor, Department of Electronics and Communication Engineering, Sri Indu College of Engineering & Technology, Sheriguda (Telangana), India

**Dr. Sharanappa Chapi**

Assistant Professor, Department of Physics, K.L.E. Society's J.T. College, Gadag-Betgeri, (Karnataka), India

**Dr. A. Vamshi Krishna Reddy**

Lecturer, Centre for Environment, Institute of Science & Technology, Jawaharlal Nehru Technological University, Hyderabad (Telangana), India

**Dr. Amit Bindaj Karpurapu**

Professor, Department of Electronics and Communication Engineering, Swarna Bharathi Institute of Science and Technology (SBIT), Khammam (Telangana), India

**Dr. Atul Ramdas Kolhe**

Associate Professor, Department of Civil Engineering, Dr. D Y Patil Institute of Engineering Management & Research, Pimpri-Chinchwad (Maharashtra), India

**Dr. B. Bazeer Ahamed**

Associate Professor, Department of Computer Science and Engineering, Balaji Institute of Technology & Science, Laknepally (Telangana), India

**Dr. C. Arunabala**

Professor, Department of Electronics and Communication Engineering, KITS (KKR & KSR Institute of Technology & Sciences) Vinjanampadu, Vatticherukuru Mandal, Guntur (Andhra Pradesh), India

**Dr. A. Swarupa Rani**

Associate Professor, Department of Computer Science, Siddharth institute of Engineering & Technology, Narayanavanam (Andhra Pradesh), India

**Dr. S. A. Mohan Krishna**

Associate Professor, Department of Information Science and Engineering, Vidyavardhaka College of Engineering, Mysuru (Karnataka), India

**Dr. Ashok Koujalagi**

Assistant Professor & Postdoctoral Researcher, Department of Computer Science, Basaveshwar Science College, Bagalkot (Karnataka), India

**Dr. A. Baradeswaran**

Principal, Department of Electronics & Communication Engineering, Madha Engineering College, Chennai (Tamil Nadu), India

**Dr. R. Padma Priya**

Professor, Department of Electronics & Communication Engineering, Madha Engineering College, Chennai (Tamil Nadu), India

**Dr. Raghunath Satpathy**

Assistant Professor, Department of Biotechnology, Majhighariani Institute of Technology and Science, Odisha, India

**Dr. Hema Chandran K.**

Professor & HOD, Department of Electronics & Communication Engineering, Ashoka Institute of Engineering and Technology, Hyderabad (Telangana), India

**Dr. M. Rakesh**

Assistant Professor, Department of Electronics and Communication Engineering, Vignan's Institute of Management and Technology for Women, Ghatkeser (Hyderabad), India

**Dr. Parul Mishra**

Assistant Professor, Department of English, GD Goenka University Gurugram, Gurgaon (Haryana), India

**Dr. Sunil Kumar Mishra**

Associate Professor, Department of Communication Skills (English), Amity University, Gurgaon (Haryana), India

**Dr. Kaushik Mukherjee**

Faculty of Management Studies, Assistant Professor, AKS University, Satna(MP), India

**Dr. Siva Reddy Sheri**

Associate Professor, Department of Mathematics, School of Technology Hyderabad Campus, GITAM University, Visakhapatnam (Andhra Pradesh), India.

**Dr. Nitasha Soni**

Assistant Professor, Department of Computer Science, Manav Rachna International Institute of Research and Studies, Faridabad (Haryana), India.

**Dr. Pushpender Sarao**

Professor, Department of Computer Science & Engineering, Hyderabad Institute of Technology and Management, Hyderabad (Telangana), India.

**Dr. K. Priya**

Professor & Head, Department of Commerce, Vivekanandha College of Arts & Sciences for Women (Autonomous, Elayampalayam, Namakkal (Tamil Nadu), India.

**Dr. Sunil Tekale**

Professor, Dean Academics, Department of Computer Science & Engineering, Malla Reddy College of Engineering, Secunderabad (Telangana), India.

**Dr. Brijesh Singh**

Senior Yoga Expert and Head, Department of Yoga, Samutakarsha Academy of Yoga, Music & Holistic Living, Prahladnagar, Ahmedabad (Gujarat), India.

**Dr. Vinita Kumar**

Department of Physics, Dr. D. Ram D A V Public School, Danapur, Patna(Bihar), India



**Dr. Rama Shanker**

Professor & Head, Department of Statistics, Eritrea Institute of Technology, Asmara, Eritrea

**Dr. Subhash Laxman Gadhawe**

Professor, Department of Mechanical Engineering, Shri Jagdishprasad Jhabarmal Tibrewala University, (Rajasthan) India.

**Dr. Raja Mohammad Latif**

Professor, Department of Mathematics and Natural Sciences, University of Alberta Edmonton, Canada.

**Dr. S.N. Ramaswamy**

Professor, Department of Civil Engineering, Kalasalingam University, (Krishnankoil) India.

**Dr. G.Mallesh**

Professor, Department of Mechanical Engineering, VTU, (karnataka) India

**Dr. G.Kiruthiga**

Professor, Department of Computer Science and Engineering, Karpagam Academy of Higher Education, (Chitilappilly) Kerala, India.

**Dr. Kalpana Chauhan**

Professor, Department of Electrical Engineering, IIT Roorkee, (Uttarakhand) India.

**Dr. K.Vijaya Kumar**

Professor, Department of Library and Information Science, Annamalai University, (Chidambaram) Tamil Nadu, India.

**Dr. Ravi K N**

Professor, Department of High voltage Engineering, Indian Institute of Science, (Bengaluru) Karnataka, India.

**Dr. Pabitra Kumar Biswas**

Professor, Department of Electrical Engineering, NIT Durgapur, (West Bengal) India.

**Dr. Awari Mahesh Babu**

Professor, Department of Civil Engineering, JNTUH Hyderabad, (Telangana) India.

**Dr. Qutubuddin S.M.**

Professor, Department of Mechanical Engineering, JNTU Hyderabad, (Telangana) India.

**Dr. G Komarasamy**

Professor, Department of Computer Science and Engineering, Anna University, (Chennai) Tamil Nadu, India.

**Dr. Krupal Prabahakar Pawar**

Professor, Department of Mechanical Engineering, Sri Satya Sai University of Technology and Medical Sciences, (Madhya Pradesh) India.

**Dr. Shasanka Sekhar Rout**

Professor, Department of Electronics & Telecommunication Engineering, Veer Surendra Sai University of Technology, (Burla) Odisha, India.

**Dr. Dipti Chauhan**

Professor, Department of Computer Applications, Maulana Azad National Institute of Technology, Bhopal (M.P) India.

**Dr. Hakim S. Sultan Aljibori**

Professor, Department of Mechanical Engineering, University of Warith Alanbiyaa, Iraq

**Dr. Suneev Anil Bansal**

Professor, Department of Mechanical Engineering, Maharaja Agrasen University, Baddi (HP), India.

**Dr. Ujwal Lanjewar**

Professor, Department of Computer Science and Engineering, Rashtrasant Tukadoji Maharaj Nagpur University, Nagpur (Maharashtra), India.

**Dr. J. Prakash Arul Jose**

Professor and Head , Department of Civil Engineering, Noorul Islam Centre for Higher Education, Kanyakumari (Tamilnadu), India.

**Dr. P. Sreenivasulu Reddy**

Professor, Department of English language and Literature, Sri Venkateswara University, Tirupati (Andhra Pradesh), India.

**Dr. P. Harish N.**

Professor, Department of Economics, Tumkur University, Tumakuru (Karnataka), India.

**Dr. S. Saranya**

Professor, Department of Computer Science and Engineering, Bharathidasan University, Tiruchirappalli (Tamil Nadu), India.

**Dr. T. Muthumanickam**

Professor, Department of Electronics and Communication Engineering, Vinayaka Mission's Research Foundation, Salem (Tamil Nadu), India.

**Dr. Vairavel**

Professor, Department of Mechanical Engineering, VELS UNIVERSITY, Pallavaram, Chennai (Tamil Nadu), India.

**Dr. Kolla Bhanu Prakash**

Professor, Department of Computer Science and Engineering, Sathyabama university, Chennai (Tamil Nadu), India.

**Dr. Mallapuram Bala Chennaiah**

Professor, Department of Mechanical Engineering, Jawaharlal Nehru Technological University Anantapuramu (Andhra Pradesh), India.

**Dr. Yellamma Pachipala**

Professor, Department of Computer Science and Engineering, Bharathiar University, Coimbatore (Tamil Nadu), India.

**Dr. Neeta Saxena**

Professor, Department of Applied Mathematics, Amity University, Gwalior (Madhya Pradesh), India.

**Dr. G. Mallesh**

Professor, Department of Mechanical Engineering, Visvesvaraya Technological University, Belagavi (Karnataka), India.

**Dr. Sandeep Chaware**

Professor, Department of Computer Science and Engineering, NMIMS, Vile Parle(West), Mumbai (Maharashtra), India.

**Dr. A Sri vani**

Professor, Department of Physics, Rayalseema University, Kurnool (AP), India.

**Dr. Murali Muniraj**

Professor, Department of Electrical and Electronics Engineering, Sona College of Technology, Salem (Tamil Nadu), India.

**Dr. T S Nanjundeswaraswamy**

Associate Professor, Department of Mechanical Engineering, JSS Academy of Technical Education, Bangalore (Karnataka), India.

**Dr. B S Santhosh**

Professor, Department of Civil Engineering, Visvesvaraya Technological University, Belagavi (Karnataka), India.

**Dr. A. Sulthan Mohideen**

Professor, Department of Commerce, Hajee karutha Rowther Howdia College, Uthamapalayam, Theni District, Uthamapalayam (Tamil Nadu), India.

**Dr. Vaibhav R. Bhedi**

Professor, Department of Computer Science and Engineering, Sant Gadge Baba Amravati University, Amravati (Maharashtra), India.

**Dr. Ayad Hameed Mousa**

Professor, Department of Computer Science and Engineering, University Utara Malaysia, Changlun, Malaysia.

**Dr. M Chrispin Das**

Professor, Department of Mechanical Engineering, Anna University, Chennai (Tamil Nadu), India.

**Dr. Kammara Bharath Kumar**

Professor, Department of Electronics and Communication Engineering, Pondicherry University, Pondicherry (Andhra Pradesh), India.

**Dr. Manjunatha N**

Professor, Department of Mathematics, Bharathiar University, Coimbatore (Tamil Nadu), India.

**Dr. M. Ramajayam**

Assistant Professor, Department of General & Adapted Physical Education and Yoga, Periyanaickenpalayam, Coimbatore (Tamil Nadu), India.

**Dr. Mohammad Arshad**

Professor, Department of Computer Science and Engineering, Koneru Lakshmaiah University, Guntur (Andhra Pradesh), India.

**Dr. Maidul Islam**

Professor, Department of Management Information Systems, Ajou University, Suwon, South Korea.

**Dr. Arup Kumar Hazarika**

Professor, Department of Zoology, Cotton University, Panbazar, Guwahati (Assam), India.

**Dr. P Venkata Subbareddy**

Professor, Department of Computer Science and Engineering, Annamalai University (Tamil Nadu), India.

**Dr. Muttipati Appala Srinivasu**

Professor, Department of Computer Science and Engineering, Gitam Deemed To Be University, Gandhi Nagar, Rushikonda Visakhapatnam (Andhra Pradesh), India.

**Dr. Namita Gupta**

Professor, Department of Economics, MG Kashi Vidyapeeth, Varanasi (Uttar Pradesh), India.

**Dr. Chandan Medatwal**

Professor, Department of Management, University Of Kota, MBS Marg, Kota (Rajasthan), India.

**Dr. Narasimhan D**

Professor, Department of Mathematics, Srinivasa Ramanujan Centre Sastra Deemed University Kumbakonam (Tamil Nadu), India.

**Dr. Yuriy Pyvovar**

Professor, Department of Constitutional and Administrative Law, National Aviation University, Kiev, Ukraine.

**Dr. Asim K. Mandal**

Professor, Department of Agriculture, Bidhan Chandra Krishi Viswavidyalaya (BCKV), Mohanpur, Nadia (West Bengal), India.

**Dr. Lokesh P Gagnani**

Professor, Department of Computer Science and Engineering, C U Shah University, Nr. Kothariya Village, Dist. Surendranagar, Wadhwan (Gujarat), India.

**Dr. Trilochan Jena**

Professor, Department of Civil Engineering, Siksha O Anusandhan (Deemed to be University), ITER, Bhubaneswar (Odisha), India.

**Dr. S. Ismail Kalilulah**

Professor, Department of Computer Science and Engineering, St. Peter's Engineering College, Avadi, Chennai (Tamil Nadu), India.

**Dr. S Vijayakumar**

Professor, Department of Computer Science and Engineering, Vellore Institute of Technology, Vellore (Tamil Nadu), India.

**Dr. Serhii Kozlovskyi**

Professor, Department of Economics, Vasyly' Stus Donetsk National University, Vinnytsia, Ukraine.

**Dr. V. Jaiganesh**

Professor, Department of Mechanical Engineering, Anna University Chennai (Tamil Nadu), India.

**Dr. Mohankumar Namdeorao Bajad**

Professor, Department of Civil Engineering, Sardar Vallabhbhai National Institute of Technology, Surat (Gujarat), India.

**Dr. G. Purushotham**

Professor, Department of Mechanical Engineering Sciences, Visvesvaraya Technological University, Belagavi (Karnataka), India.

**Dr. Rajendiran Muthusamy**

Professor, Department of Computer Science and Engineering, Sathyabama University, Chennai (Tamil Nadu), India.

**Dr. S Madhava Reddy**

Professor, Department of Mechanical Engineering, Osmania University, Hyderabad (Telangana), India.

**Dr. Siddhartha Choubey**

Professor, Department of Computer Science and Engineering, MATS University, Aarang, Raipur (Chhattisgarh), India.

**Dr. Ebissa**

Professor, Department of Civil Engineering, IIT Roorkee, Roorkee (Uttarakhand), India.

**Dr. R. Dhanasekaran**

Professor, Department of Mechanical Engineering, Anna University, Chennai (Tamil Nadu), India.

**Dr. Kajal Chaudhary**

Professor, Department of Commerce, Chaudhary Charan Singh University, Meerut (Uttar Pradesh), India.

**Dr. Sivasankari**

Assistant Professor, Department of Chemistry, Cauvery College for Women, Tiruchirappalli (Tamil Nadu), India.

**Dr. Jay Kumar Jain**

Associate Professor, Department of Information Technology, Sagar Institute of Research & Technology, Bhopal (M.P), India.

**Dr. Brijesh Gangil**

Assistant Professor, Department of Mechanical Engineering, HNB Garhwal University (A Central University), Srinagar (Uttarakhand), India.

**Dr. Sabyasachi Pramanik**

Assistant Professor, Department of Computer Science and Engineering, Haldia Institute of Technology, Haldia (West Bengal), India.

**Dr. M.L. Pavan Kishore**

Senior Assistant Professor, Department of Mechanical Engineering, The ICFAI Foundation for Higher Education, Hyderabad (Telangana), India.

**Dr. H S Prasantha**

Professor, Department of Electronics & Communication Engineering, Nitte Meenakshi Institute of

Technology, Bangalore (Karnataka), India.

**Dr. Venkaiah Babu Prathipati**

Associate Professor & HOD, Department of MBA, Eswar College of Engineering, Narasaraopet (Andhra Pradesh), India.

**Dr. S. Gomathi**

Assistant Professor, Department of Information Technology, Bharathiar University (Tamil Nadu), India.

**Dr. Diwakar Ramanuj Tripathi**

Information Technology Consultant, Department of Information Technology, Drtcomptech Group, Nagpur (Maharashtra), India.

**Dr. K. P. Sanal Kumar**

Assistant Professor, Department of Computer Science, R. V. Government Arts College, Chengalpattu (Tamil Nadu), India.

**Dr. Rubini P**

Associate Professor, Department of Computer Science and Engineering, CMR University Main Campus, Bangalore (Karnataka), India.

**Dr. Bhavana Narain**

Associate Professor, Department of Information Technology, MATS University Raipur (Chhattisgarh), India.

**Dr. P. Periasamy**

Associate Professor, Department of MBA Finance, CMS B School, Jain Deemed to be University, Bengaluru (Karnataka), India.

**Dr. Mohan Seelam**

Assistant Professor, Department of Chemistry, Bapatla Engineering College, Bapatla, (Andhra Pradesh), India.

**Dr. M. Azhagiri**

Assistant Professor, Department of Computer Science and Engineering, SRM Institute of Science and Technology, Chennai (Tamil Nadu), India.

**Dr. Bhagya R**

Associate Professor, Department of Telecommunication Engineering, RV College of Engineering, Bengaluru (Karnataka), India.

**Dr. Poppathi Naresh**

Assistant Professor, Department of Mechanical, Gates Institute of Technology, Ramarajupalle (Andhra Pradesh), India.

**Dr. Bhuvana Suganthi D**

Associate Professor, Department of Electronics and Communication Engineering, BNM Institute of Technology, Bengaluru (Karnataka), India.

**Dr. D. Sai Chaitanya Kishore**

Associate Professor & HOD, Department of Mechanical Engineering, Srinivasa Ramanujan Institute of Technology, Chedulla (Andhra Pradesh), India.

**Dr. Malabika Adak**

Assistant Professor, Department of Applied Mathematics and Humanities, Yeshwantrao Chavan College of Engineering, Nagpur (Maharashtra), India.

**Dr. Owais Yousuf**

Assistant Professor, Department of Bio-Engineering, Integral University, Lucknow (Uttar Pradesh), India.

**Dr. TR. Kalai Lakshmi**

Associate Professor, Department of Management Studies, Sathyabama institute of science and Technology, Chennai (Tamil Nadu), India.

**Dr. Ketan D Parikh**

Associate Professor, Department of Physics, M. P. Shah Arts and Science College, Surendranagar (Gujarat), India.

**Dr. Dileep Kumar Singh**

Assistant Professor, Department of MBA, G H Rasoni College of Engineering, Nagpur (Maharashtra), India.

**Dr. Pankaj W. Chaudhari**

Assistant Professor & Head, Department of Zoology, Shri Vitthal Rukhmini Mahavidyalaya Sawana, Tq. Mahagaon Dist. Yavatmal (Maharashtra), India.

**Dr. K. Gurushankar**

Assistant Professor, Department of Physics, Kalasalingam University, Virudhunagar (Tamil Nadu), India.

**Dr. K.V.N. Kavitha**

Associate Professor, Department of Communication Engineering, VIT University, Vellore (Tamil Nadu), India.

**Dr. Deependra Sharma**

Professor, Department of Amity Business School, Amity University, Gurgaon (Haryana), India.

**Dr. S. Mohan**

Associate Professor, Department of English, Kalasalingam Academy of Research and Education, Srivilliputhur (Tamil Nadu), India.

**Dr. Nagarajan N**

Associate Professor, Department of Civil Engineering, Faculty of Engineering and Technology, Annamalai University, Chidambaram (Tamil Nadu), India.

**Dr. Beemkumar N**

Associate Professor, Department of Mechanical Engineering, Jain (Deemed-to-be University), Bengaluru (Karnataka), India.

**Dr. D. Elil Raja**

Associate Professor, Department of Mechanical Engineering, St. Joseph's Institute of Technology, OMR, Chennai (Tamil Nadu), India.

**Dr. Pankaj Kumar Tyagi**

Professor and Dean Research, Department of Biotechnology, Noida Institute of Engineering and Technology, Noida (Uttar Pradesh), India.

**Dr. K. Bhargavi**

Professor and Dean Research, Department of Computer Science and Engineering, Teegala Krishna Reddy Engineering College, Hyderabad (Telangana), India.

**Dr. Sharadrao A. Vanalakar**

Assistant Professor, Department of Physics, Karmveer Hire College, Gargoti (Maharashtra), India.

**Dr. Saurabh Bajpai**

Assistant Professor, Department of Commerce and Business Management, Integral University, Lucknow (U.P), India.

<b>Volume-7 Issue-6S5, April 2019, ISSN: 2277-3878 (Online)</b> <b>Published By: Blue Eyes Intelligence Engineering &amp; Sciences Publication</b>	
1.	<b>Authors:</b> Arbansyah, Arbain, Dedi Rahman Nur, Dzul Rahman
	<b>Paper Title:</b> <a href="#">Application of Fuzzy Multi Tributes of Decision (Madm) in Supporting Decision to Determine Best Graduate</a>
2.	<b>Authors:</b> K.Suriya Krishnan, D.Sivakumar,M.K. Madhumitha, R. Kaayathiry R.Immanuel Ebenezer
	<b>Paper Title:</b> <a href="#">Portable Multi-Utility Porter System in Android Applications</a>
3.	<b>Authors:</b> Lekshmi Gangadhar, Akhila Rajan, P. K Praseetha
	<b>Paper Title:</b> <a href="#">Semiconductor Quantum Dots for Performance Improvement in Solar Cells</a>
4.	<b>Authors:</b> Richki Agus Satryan, Kiagus Ahmad Roni, Heni Juniar
	<b>Paper Title:</b> <a href="#">The Utilization of Extract Belimbing Wuluh Leaves (Averrhoa Bilimbi) as Natural Inhibitor Corrosion to Prevent Corrosion on Metal Mild Steel</a>
5.	<b>Authors:</b> Novrini Hasti, Machdalena, Andri Sahata Sitanggang
	<b>Paper Title:</b> <a href="#">Web-based Information System of Baby Data Management of Integrated Service Post (Posyandu)</a>
6.	<b>Authors:</b> Kiagus Ahmad Roni, Merisha Hastarina, Netty Herawati
	<b>Paper Title:</b> <a href="#">Effects of Yeast's Weight and Fermentation Time to Percent Yield of Bioethanol from Peatlan</a>
7.	<b>Authors:</b> Yo Ceng Giap, Ma'mun Johari , Pebrianto Indrawan , Dedih
	<b>Paper Title:</b> <a href="#">Implementation of the Levenshtein Distance Method and Similarities in Checking the Equal Content of the Document Text</a>
8.	<b>Authors:</b> Amr Mohamad Alabbasi, Ismail Said
	<b>Paper Title:</b> <a href="#">The Restorative Effect of Well-Designed Open Space on the Physiological Health of the Obese Adults in Saudi Arabia</a>
9.	<b>Authors:</b> Grigory Olegovich Yarygin, Aleksandr Alekseevich Korostelev, Rafis H. Mukhutdinov, Andino Maseleno
	<b>Paper Title:</b> <a href="#">Elections and Russian Citizens Residing Overseas: Prospects for Internet Voting</a>
10.	<b>Authors:</b> Larisa Akhunzhanovna Apanasyuk, Elena Vladimirovna Smirnova, Rafis H. Mukhutdinov, Andino Maseleno
	<b>Paper Title:</b> <a href="#">The Problem of the Organization of Socio-Cultural Environment for Adaptation and Development of a Student-Migrant's Bilingual Identity Education</a>
11.	<b>Authors:</b> Alla L. Busygina, Liliya A. Meteleva, Darya B. Shrikova, Rafis H. Mukhutdinov, Andino Maseleno
	<b>Paper Title:</b> <a href="#">Bases of Formation of Women's Professional Mentality in Russia</a>
12.	<b>Authors:</b> Oleg N. Yarygin, Aleksandr A. Korostelev, Linar G. Akhmetov, Andino Maseleno
	<b>Paper Title:</b> <a href="#">Modeling of Competence as a Tool of Goal Setting for Education in Modern Society</a>
13.	<b>Authors:</b> Raven John, Aleksandr A. Korostelev, Oleg N. Yarygin, Rafis H. Mukhutdinov, Andino Maseleno
	<b>Paper Title:</b> <a href="#">The Genesys and Base Concepts of Competentology</a>
14.	<b>Authors:</b> Bogdanova Anna Vladimirovna, Aleksandr Alekseevich Korostelev, Rafis H. Mukhutdinov, Indira A. Shakirova, Andino Maseleno
	<b>Paper Title:</b> <a href="#">Formulation of the Problem of Mathematical Modeling of Accommodation of Basic Stations of Cellular Communication in Residential Preparation</a>
15.	<b>Authors:</b> Bogdanova Anna Vladimirovna, Aleksandr A. Korostelev, Olga L. Shepelyuk, Anna E. Rodionova, Irina N. Fardeeva, Andino Maseleno
	<b>Paper Title:</b> <a href="#">Reengineering of Business Processes of the Higher School: Its Prerequisites</a>
16.	<b>Authors:</b> Rustem R. Vakhitov, Anna E. Rodionova, Elena V. Smirnova, Rafis H. Mukhutdinov, Mariya I. Arzhakova, Andino Maseleno
	<b>Paper Title:</b> <a href="#">Crisis of Higher Education in Russia</a>

17.	Authors:	Kuznetsov Sergey Vladimirovich, Magizov Rustem Robertovich, Radzevanovskaya Yuliya Viktorovna, Alexey V. Kuznetsov, Mukhametgaliev Is
	Paper Title:	<a href="#">Public Anti-Corruption Control as a Mechanism to Counter Corruption in the Russian Federation</a>
18.	Authors:	N.Valarmathy, S.Krishnaveni
	Paper Title:	<a href="#">Performance Evaluation and Comparison of Clustering Algorithms used in Educational Data Mining</a>
19.	Authors:	R. Fenny Syafariani , Andri Sahata Sitanggang, Andino Maseleno
	Paper Title:	<a href="#">Application of Backend and Frontend Systems on Go-Baby Application in Bandung City</a>
20.	Authors:	Ali Abdul-hussian Hassan, WahidahMd Shah, Ali Mohamed Husien, Mohammed Saad Talib, Ali Abdul-Jabbar Mohammed, MohdFairuz Iskanda
	Paper Title:	<a href="#">Clustering Approach in Wireless Sensor Networks Based on K-means: Limitations and Recommendations</a>
21.	Authors:	Akhila Rajan, Praseetha P.K, Ariharan V.N ,Gopu Kumar S.T
	Paper Title:	<a href="#">Invitro Cytotoxic and Anti – Cancer Studies of Polyvinyl Alcohol Mediated 5fluorouracil Conjugated Gold Nanoparticles</a>
22.	Authors:	Anooj E. S, Praseetha P. K
	Paper Title:	<a href="#">Synthesis and Characterization of Graphene Quantum Dots from Nutmeg Seeds and Its Biomedical Application</a>
23.	Authors:	Ankush Raj, Naresh Kumar, Tariq Hussain Sheikh
	Paper Title:	<a href="#">Empirical Evaluation of Software Testing Techniques</a>
24.	Authors:	N.Gayathri, K.Meenakshi
	Paper Title:	<a href="#">Emotional Intelligence to Emotional Stability – A Repertoire of Knowledge from the Bhagavad-Gita</a>
25.	Authors:	M.Senthil Mathi, S.Ponmuthumari
	Paper Title:	<a href="#">The Study on Impact of Non-Monetary Factors Influencing Stock Market with Reference to Chennai City</a>
26.	Authors:	N. Balakumar, B. Prabadevi
	Paper Title:	<a href="#">Modified Monarch Butterfly Based Feature Selection for Multi Medical Data Classification using Deep Neural Network</a>
27.	Authors:	Natalia L.Ivanova, Nikolay Ivanovich Sinyavsky, Alexey Valerievich Fursov, Oksana Petrovna Denisova, Andino Maseleno
	Paper Title:	<a href="#">Future Oil and Gas Students' Attitude to Healthy Lifestyle and Their Participation in the Implementation of Russian Physical Educational Con Normatives</a>
28.	Authors:	Swati Bhatt, Sharat Sharma
	Paper Title:	<a href="#">Role of ICT in Effective Sustainable Reportin</a>
29.	Authors:	Natalia P. Nikonova, Larisa N. Gorina, Andino Maseleno
	Paper Title:	<a href="#">Cooperation Between the European Union and the Eurasian Union</a>
30.	Authors:	Natalie P. Nikonova, Larisa N. Gorina, Andino Maseleno
	Paper Title:	<a href="#">Inter-Regional Relationship Based on Geo-Economics Requirements</a>
31.	Authors:	Fenny Syafariani R., Andri Sahata Sitanggang, Eko Yudhi Pramono, Wahidah Hashim, Andino Maseleno
	Paper Title:	<a href="#">Systems and Services Pattern Descriptions at Daycare</a>
32.	Authors:	Nirmal Baby, Bhargavi Goswami
	Paper Title:	<a href="#">Implementing Artificial Intelligence Agent Within Connect 4 Using Unity3d and Machine Learning Concepts</a>
33.	Authors:	Ankit Kumar, Bhargavi Goswami, Peter Augustine
	Paper Title:	<a href="#">Experimenting with Resilience and Scalability of Wifi Mininet on Small to Large SDN Networks</a>



34.	Authors:	S.Ponmuthumari, M.Senthil Mathi
	Paper Title:	<a href="#">The Study on Risk Tolerance Level of Individual Investors and Comparing to Various Investment Avenues</a>
35.	Authors:	Abhilasha Jain , Ashok Kumar Goel
	Paper Title:	<a href="#">Enhanced Versions of PEGASIS Routing Technique for WSNs: A Survey</a>
36.	Authors:	Najeeb Abbas Al-Sammarraie, Yousef A. Baker El-Ebiary, Suhad Ibrahim Kazem, Seita Almandeel, Areej Alshamasi
	Paper Title:	<a href="#">E-Learning and Students Satisfaction – Case Study MEDIU</a>
37.	Authors:	Yousef A. Baker El-Ebiary, Najeeb Abbas Al-Sammarraie, MazinHaithemRazuky, Seita Almandeel, Areej Alshamasi
	Paper Title:	<a href="#">The Role of Database Management System to improve e-Banking Processes - Case Study Islamic Banking</a>
38.	Authors:	S V Strelkov, A S Klygach, V M Ivanov
	Paper Title:	<a href="#">Creating Hi-Detailed Heart 3d Model Based on MRI and Contour Data and It's Representation in Augmented Reality</a>
39.	Authors:	Joseph M. De Guia, Madhavi Devaraj
	Paper Title:	<a href="#">Methods And Trends In Natural Language Processing Applications In Big Data</a>
40.	Authors:	Muhammad Khurram, Sellappan Palaniappan, Syed Imran Ali
	Paper Title:	<a href="#">Optimal Overhead Energy Efficient Algorithm of Leach Protocol in Wireless Sensor Networks</a>
41.	Authors:	Almaas Sultana, Vijay Kumar Chechi
	Paper Title:	<a href="#">Ostracism in Virtual Environment: A theoretical Perspective</a>
42.	Authors:	P.R Anisha, B. Vijaya Babu
	Paper Title:	<a href="#">CEBPS : Cluster based Effective Breast Cancer Prediction System</a>
43.	Authors:	Deepak Kochhar, Pavitar Parkash Singh
	Paper Title:	<a href="#">Psychological Impact of a Brand Mascot in Customer's Purchase Decision</a>
44.	Authors:	Anand Kumar, Kuljit Singh
	Paper Title:	<a href="#">An Analysis of Crop Diversification in Rup Nagar District of Punjab</a>
45.	Authors:	Rachana G, Aparna Joshi
	Paper Title:	<a href="#">Farmer's Perception on the State of Agriculture in an Industrial Area: A Case Study</a>
46.	Authors:	Pooja Raghav , Aparna Joshi
	Paper Title:	<a href="#">Socio-Economic Dynamics of Aslum in an Expanding City: A Study of Gurgaon, Haryana</a>
47.	Authors:	Jatinder Kumar, Suman Sumi, Anjali Verma, Sharmila Verma
	Paper Title:	<a href="#">Use of Smartphones for Academic Purposes by Teachers of Panjab University</a>
48.	Authors:	Javeed AhmadBhat, Rajeeesh CS
	Paper Title:	<a href="#">Political Rights, Citizenship and the Marginalised Refugees: the Case of Tibetans in Nepal</a>
49.	Authors:	Manvendra Singh, Mohammad Yousaf Saqib
	Paper Title:	<a href="#">TAPI Project as a Role Model for Other National Development Projects of Afghanistan</a>
50.	Authors:	Ravi Khurana, Amandeep Singh
	Paper Title:	<a href="#">Role of Cloud Service Broker in Qualifying Teaching Skills</a>

51.	Authors:	Anil Behl, Ripudaman Singh
	Paper Title:	<a href="#">Block Level Analysis of Regional Disparities in Educational Development in Punjab</a>
52.	Authors:	Neetu Sharma, Shivani Thakur
	Paper Title:	<a href="#">Relocating the Roots of Marxism in the Call of the Wild and the Iron Heels of Jack London</a>
53.	Authors:	Yuna Li, Pingdingshan, Jit Pal Aggarwal
	Paper Title:	<a href="#">Entropy and the Fantastic: Chaos and Disorder in the Crying of Lot 49 of Thomas Pynchon</a>
54.	Authors:	Yang Zhao, Jit Pal Aggarwal
	Paper Title:	<a href="#">Apocalyptic Vision in the Rabbit Tetralogy of John Hoyer Updike: A Postmodern Study</a>
55.	Authors:	Amrik Singh, Ajoy Batta
	Paper Title:	<a href="#">Trauma Studies: Trauma in Early Childhood and Its Recuperation</a>
56.	Authors:	Neha Puri, Aruna Bhat
	Paper Title:	<a href="#">Socialistic Vision of John Steinbeck and Dos Passos: Foucauldian Analysis of the Grapes of Wrath and Manhattan Transfer</a>
57.	Authors:	Kundan Singh, Sandeep Kaur
	Paper Title:	<a href="#">Psychological Empowerment of Teachers: Development and Validation of Multi-Dimensional Scale</a>
58.	Authors:	Nipun Chaudhary, Ishfaq Ahmad Trambooo
	Paper Title:	<a href="#">Patriarchy and Cultural Politics in Deepa Mehta's Fire</a>
59.	Authors:	Rajesh Verma, Rahul Sharma, LalitBhalla, Megha Mehta
	Paper Title:	<a href="#">Relationship Between Interpersonal Influence and E-Wom in Social Networking Sites</a>
60.	Authors:	Sanjay Prasad Pandey, Imtiyaz Ahmad Wani
	Paper Title:	<a href="#">The Crisis of Identity in the Era of Globalisation: A Study of Kiran Desai's the Inheritance of Loss</a>
61.	Authors:	Jitendra Sharma, Rohita Sharma
	Paper Title:	<a href="#">Photographers' Attitude Towards Impact of Photo Manipulation in Various Photography Genres</a>
62.	Authors:	Vijay Kumar, Jyoti Bhalla
	Paper Title:	<a href="#">Influence of Causal Attribution on Motivation and Learning Strategies Among Undergraduate Students</a>
63.	Authors:	Kulnaz Kaur
	Paper Title:	<a href="#">A Gendered Perspective of the Social Institution of Marriage in Colonial Punjab</a>
64.	Authors:	Manu Sharma, Shoaib Mohammad
	Paper Title:	<a href="#">The Impact of Insurgency on Education Sector in Kashmir: Issues and Concerns</a>
65.	Authors:	Madhu Mehta, Mudita Raj, Vipin Solanki
	Paper Title:	<a href="#">An Assessment of Corporate Social Responsibility: Case study of a Sonalika Motors</a>
66.	Authors:	Musa Shu aibu, Nimisha Beri
	Paper Title:	<a href="#">Role of Perceived Leader Integrity on Teachers' Organizational Commitment Among Teachers of Senior Secondary School in Nigeria</a>
67.	Authors:	Deepa Sikand Kauts, Puneet Kapatia
	Paper Title:	<a href="#">Innovative Behavioral Techniques to Reduce Stress Among Vii Grade Learners</a>

68.	Authors:	Sanjeev Kumar, Amrik Singh, Santosh Ramkrishna Durugkar
	Paper Title:	<a href="#">Relationship Between Perceived Stress and Coping Mechanism an Exploratory Case Study on Hospitality Students</a>
69.	Authors:	Shahid NP, Rajeesh CS
	Paper Title:	<a href="#">Growth of Islamic Consciousness in Bengal and the British Colonial Policy</a>
70.	Authors:	Devaraj K S, Janaki K, Harshitha T N, Gowtham Das V, Jinka Kavya
	Paper Title:	<a href="#">High Accuracy and Efficiency Prediction of Herms using Mapreduce Technique</a>
71.	Authors:	Vipin Solanki, Sarish Khera
	Paper Title:	<a href="#">Assessment of Water Quality Variation of River: A Case Study of Beas River, Punjab</a>
72.	Authors:	Cheki Gyeltshen, Nimisha Beri
	Paper Title:	<a href="#">Levels of Work Place Happiness, Organizational Commitment, Work Motivation, and Job Satisfaction Among Secondary School Teachers in B</a>
73.	Authors:	Chime Dorji, Kamalpreet Kaur
	Paper Title:	<a href="#">The Impact of Organizational Justice on Organizational Commitment: A Perception Study on Teachers of Bhutan</a>
74.	Authors:	Ajoy Batta, Anum Mirza
	Paper Title:	<a href="#">Comic Games of Parody and Grotesque Realism in Albee's Who's Afraid of Virginia Woolf?:a Bakhtian Perspective</a>
75.	Authors:	Arjun Kumar Singh, Jasvinder Singh
	Paper Title:	<a href="#">Sustainability in Designing of Plastic Arts</a>
76.	Authors:	Digvijay Pandya, T. S. Sangha
	Paper Title:	<a href="#">Emergence of Absurdism: Theatre and Anti-Theatre in the Post-World War American Drama</a>
77.	Authors:	Javeed Ahmad Bhat
	Paper Title:	<a href="#">Disruption in Proceedings of Indian Parliament: An Exploratory Study</a>
78.	Authors:	Vamsidhar Talasila, Rajesh Kumar T, Ch. Pooja Sai , S. Satya Sai, Yalanti Ayyappa
	Paper Title:	<a href="#">Predicting the Risk of Heart Failure with EHR Sequential Data Modeling</a>
79.	Authors:	Manish Kumar Verma, Pardeep Kumar, Yashmeen
	Paper Title:	<a href="#">Effect of Psychological Interventions for Improving Self-Confidence of University Students</a>
80.	Authors:	Pankaj Singh, Preeti Singh, Kiran Verma
	Paper Title:	<a href="#">Differences in Perception of Clothing Style Among Indian and Foreign Students</a>
81.	Authors:	Pardeep Kumar, AjoyBatta, Vijay Kumar, Parul Sharma, Gonika Bhatia, Vivek Bhuchar
	Paper Title:	<a href="#">Organisational Commitment and Hardiness Personality in relation to Occupational Stress of Primary School Teachers</a>
82.	Authors:	P. Durga Rao
	Paper Title:	<a href="#">Health Status and Use of Contraception among Particularly Vulnerable Tribal Groups in Visakhapatnam District of Andhra Pradesh, India</a>
83.	Authors:	Sanjay Prasad Pandey, Gurjasjeet Kaur
	Paper Title:	<a href="#">Reading Salman Rushdie's Shalimar the Clown: A Feminist Approach</a>
84.	Authors:	Mandeep Kaur, Loveleen Kaur
	Paper Title:	<a href="#">Revisiting the Epic of Mahabharata: A Case Study of Jaya by Devdutt Pattanaik</a>

85.	Authors:	Balan Rathakrishnan, Mohammad Amin Wani, Sajad Ahmad Bhat Azizi Yahaya, Soon Singh Bikar Singh Mohammad Rahim Kamaluddin Mani
	Paper Title:	<a href="#">“Factors of Social Networking Towards the Development of Self-Esteem, Social Skills and Learning Behavior Among Adolescents”</a>
86.	Authors:	Nipun Chaudhary
	Paper Title:	<a href="#">Trans-Cultural Anima, Animus, Shadow and Self : Carl Jung as Structuralist-Poststructuralist Continuum</a>
87.	Authors:	Mandeep Kaur, Charan Singh
	Paper Title:	<a href="#">Grotesque Sexual Humour in Upamanyu Chatterjee’s Weight Loss</a>
88.	Authors:	Harish Mittu , Sonam Zangmo
	Paper Title:	<a href="#">Inclusive Education: Attitude of Middle Secondary School Students of Bhutan</a>
89.	Authors:	J. Vijay Fidelis , E. Karthikeyan
	Paper Title:	<a href="#">Efficiency Parameter for Coach and Player Influences in Soccer Using Soft Computing Techniques</a>
90.	Authors:	Saraswathi.S, Deivasigamni.C
	Paper Title:	<a href="#">Design of Fault Diagnostic and Optimization System Through Data Analysis From Industrial Perspective</a>
91.	Authors:	Ramila RajaLeximi Pannir Selvam, Irfan Ahmed Mohammed Saleem, Ahmed Alenezi
	Paper Title:	<a href="#">Classification of Imbalanced Class Distribution using Random Forest with Multiple Weight Based Majority Voting for Credit Scoring</a>
92.	Authors:	D. Sivakumar, J.Gurumurthy, B.Balan,Thiyakaraj S. V,Sriram S, Syed Afeef Ahmed
	Paper Title:	<a href="#">Optimization of Multiplier Design in FIR Filters</a>
93.	Authors:	Saravanan Arumugam , Sathya Bama Subramaniam, Kirubanand V B
	Paper Title:	<a href="#">Signature based Key Exchange for Securing Data and User from Web Data Stealing Attacks</a>
94.	Authors:	Sagaya Aurelia , Anbunathan, SrinivasaRaju V
	Paper Title:	<a href="#">Blockchain Based Emanative Unassailable System: Use Cases And Repercussions</a>
95.	Authors:	Nandhini.S, Jeen Marseline .K.S , Deepa. B
	Paper Title:	<a href="#">Role of Data Mining in Developing a Smart Iot and Its Challenges</a>
96.	Authors:	Deepa.B, Jeen Marseline, K.S, Nandhini.S
	Paper Title:	<a href="#">Convergence of Wireless Sensor Network and Data Mining for Pest Mangement in Agriculture</a>
97.	Authors:	Raheemaa Khan, Mohammed Saleem Irfan Ahmed, Ahmad Alenezi
	Paper Title:	<a href="#">Predicting Outliers and Ranking Web Documents Using Correlation Analysis</a>
98.	Authors:	M.T Vasumathi, M. Kamarasan
	Paper Title:	<a href="#">Fruit Disease Prediction Using Machine Learning Over Big Data</a>
99.	Authors:	S.S.Akilan , Kayathri Devi
	Paper Title:	<a href="#">An IOT Design to Predict Mechanical Failure in Vehicles and Effective Replacement</a>
100.	Authors:	S. Sumathi, S. Karthik, Mr. J. Alfred Daniel
	Paper Title:	<a href="#">Human Presence Detection in Remote Area(Prohibited Area) Through Remote Sensing</a>
101.	Authors:	R. Arun Sekar, M. Kathirvelu, M. Govinda, V. Krishna Chaitanya, T. Bhagyasri
	Paper Title:	<a href="#">High Speed Multiplier Design Using Kogge Stone Adder</a>

102.	Authors:	Ch. Chakradhara Rao , K. Suresh kumar
	Paper Title:	<a href="#">Safeguarding Confidentiality for Universally Sequential Combinations in Scattered Repositories</a>
103.	Authors:	Attada Venkata Ramana, Aguru Aswani Devi
	Paper Title:	<a href="#">Chaotic Based Lightweight Image Encryption Algorithm for Real-time Application Systems</a>
104.	Authors:	Sandip Gupta, Kailash Kumar, Aditya Tandon, Phong Thanh Nguyen, Lalbihari Barik
	Paper Title:	<a href="#">An IoT Based Approach to Minimize Air Pollution</a>
105.	Authors:	Kalaivani A, Thenmozhi D
	Paper Title:	<a href="#">Sentimental Analysis using Deep Learning Techniques</a>
106.	Authors:	Smt.T Geetamma, J Beatrice Seventline
	Paper Title:	<a href="#">A Joint Encryption/Watermarking for Color Images</a>
107.	Authors:	M.Harikaran, N Balasundaram
	Paper Title:	<a href="#">Evaluation of Concrete Using Reshaped Waste Tyre Rubber as Partial Replacement of Coarse Aggregate</a>
108.	Authors:	Mani Surya Sava, Rakesh Yadav, Ramakrishna Savirigana, Nivas Simhadri, Kathirvelu M
	Paper Title:	<a href="#">Multi-Biometric System for High Security Applications</a>
109.	Authors:	E.D. Viswanath, N. Balasundaram
	Paper Title:	<a href="#">Preliminary Evaluation of Novel Plant Mediated Green Intention for the Treatment of Biomedical Waste Obtained from Salem City, Tamil Nadu</a>
110.	Authors:	Srilakshmi Inuganti, Rajeshwara Rao Ramisetty
	Paper Title:	<a href="#">Online Handwritten Indian Character Recognition and Its Extension to Telugu Character Recognition</a>
111.	Authors:	K.Srividya, A. Mary Sowjanya
	Paper Title:	<a href="#">Sentiment Analysis of Facebook Statusese</a>
112.	Authors:	V.T irupathi Keasavan, B. Santhosh Kumar
	Paper Title:	<a href="#">Graph based Indexing Techniques for Big Data Analytics: A Systematic Survey</a>
113.	Authors:	N. Balasundaram , V. Muruges
	Paper Title:	<a href="#">Experimental Behaviour of Water Hyacinth Ash as Partial Replacement of Cement on Short Column</a>
114.	Authors:	J. Sankar, N. Balasundaram, D. Roopa.
	Paper Title:	<a href="#">Municipal Solid Waste Management System in Salem District</a>
115.	Authors:	S. Sathyan, R. Sundararajan, K. Vivek
	Paper Title:	<a href="#">Structural Strengthening of Composite Beams Made With Scc and Cold Formed Steel Members</a>
116.	Authors:	T.V. Arul Prakash, M. Natarajan, N. Balasundaram, V. Karthik
	Paper Title:	<a href="#">Evaluating the Structural Performance of Self Consolidating Concrete Made with Concrete Debris as Aggregate</a>
117.	Authors:	Ali Abdul-Jabbar Mohammed, M. A. Burhanuddin, Adel Abdul-Jabbar Alkhazraji, Ali Abdul-Hussian Hassan, Halizah Basiron
	Paper Title:	<a href="#">A Multi-Layer Sensing as a Service Model Based on Internet of Things for Smart-Healthcare Applications</a>
118.	Authors:	Mohammed Saad Talib, Aslinda Hassan, Zuraida Abal Abas, Ali Abdul-hussian Hassan, Mohanad Faeq Ali, Z.J AL-Araji
	Paper Title:	<a href="#">Clustering Based Affinity Propagation in VANETs: Taxonomy and Opportunity of Research</a>

119.	Authors:	Anitha K, Nischitha V N, Prakruthi SP, Sindhu D K
	Paper Title:	<a href="#">Recognizing Driver Somnolence using Computer Vision</a>
120.	Authors:	Mustafa Hasan AlBowarab, Nurul Azma Zakaria, Z.Zainal Abidin
	Paper Title:	<a href="#">Load Balancing Algorithms in Software Defined Network</a>
121.	Authors:	Hasnah Binti Mohamed, Tahiru Zanna
	Paper Title:	<a href="#">Distance Learning Students' Acceptance Towards E-examination in Nigerian Universities</a>
122.	Authors:	Hasnah Mohamed, Aminabibi Saidalvi, Nor Azneza Tashiron
	Paper Title:	<a href="#">Project Based Learning in Flipped Classroom Based on Student's Cognitive Style</a>
123.	Authors:	Nur Adilah Abdol Samat, Nor Hasniza Ibrahim, Johari Surif, Marlina Ali, Abdul Halim Abdullah, Corrienna Abdul Talib, Muhammad Abdul Ha
	Paper Title:	<a href="#">Chem-A Module Based on Stem Approach in Chemical Bond</a>
124.	Authors:	Rilia Iriani, Indah Kurniasih
	Paper Title:	<a href="#">The Difference in Critical Thinking and Learning Outcome Using Problem Based Learning Asisted with Sasirangan Ethnoscience Student Worl</a>
125.	Authors:	Faisal Arif Setiawan, Sugeng Utaya, I Komang Astina
	Paper Title:	<a href="#">The Effect of Creative Problem Solving Learning Model with Synectics Techniques Toward Student Creative Thinking Ability</a>
126.	Authors:	Mustika Wati, Sri Hartini, Nanik Lestari, Syubhan An'nur, Misbah
	Paper Title:	<a href="#">Developing a Physics Module Integrated with the Local Wisdom of Baayun Maulid to Build Wasaka Character</a>
127.	Authors:	Nor Fariha Kamaruddin, NorHasniza Ibrahim, JohariSurif, Marlina Ali, CorriennaAbd Talib Norulhuda Ismail
	Paper Title:	<a href="#">Malaysian Science Stream Students' Anxiety Towards Chemistry at the Secondary School Level</a>
128.	Authors:	Sri Hartini, Listiana Prahesti, Dewi Dewantara, Syubhan Annur
	Paper Title:	<a href="#">Developing of Physics Learning Material Based on Floating Market Local Wisdom</a>
129.	Authors:	Christina Andin, Azieyana Aziz
	Paper Title:	<a href="#">Thinking Effects of Cooperative Learning Onstudent's Higher Order</a>
130.	Authors:	Nurul Farhana Zainudin, Narina A. Samah, Zakiah Mohamad Ashari, Azlina Mohd Kosnin
	Paper Title:	<a href="#">Level of Emotional Intelligence of Rural Secondary School Students and its Relation with Academic Achievement</a>
131.	Authors:	Anis Afi Wadhihah Solahuddin, Asmahan Abd Razak, Norah Md Noor, Baharuddin Aris
	Paper Title:	<a href="#">Identifying Learners 'Personality in Social Network Site (Sns) Among First-Year Undergraduate Students Based on Online Communication Styl</a>
132.	Authors:	Nur AsyikinZailan, Muhammad Abd Hadi Bunyamin, Chuzairy Hanri, Nor Hasniza Ibrahim, Sharifah Osman, Norulhuda Ismail , NurIzyan War
	Paper Title:	<a href="#">Assessment and Evaluation of Non-Formal STEM Education Programs</a>
133.	Authors:	Ado Abdu Bichi, Rohaya Talib, Hasnah Mohamed, Jamila Ahamad, Nor'Aida Khairuddin
	Paper Title:	<a href="#">Exploratory Sequential Design to Develop and Validate Economics Placement Test for Nigerian Universities</a>
134.	Authors:	Fatin Aliah Phang, Jaysuman Puspanathan, Aerma Nurazalina Musa, MohdMunir Baharom, Nor FarahwahidahAb Rahman, Mahyuddin Arsat N
	Paper Title:	<a href="#">Framework to Develop Low Carbon Society Among School Community</a>
135.	Authors:	Sulaiman Adamu Mayanchi, Aqeel Khan, Adibah Binti Abdul Latif
	Paper Title:	<a href="#">Relationship Among Self-Concept, Study Habits and Academic Achievement of Pre-Nce Students in Zamfara State College of Education, Nigeri</a>

136.	Authors:	Lavaniya Chelvan, Johari Surif , Nor Hasniza Ibrahim
	Paper Title:	<a href="#">Difficulties to Master Scientific Literacy Competencies Among Secondary School Students</a>
137.	Authors:	Abubakar Shuaibu Chiroma, Muhammad Khair bin Noordin
	Paper Title:	<a href="#">Online Technology Affordance and Its Social Implication on Technology Education Program</a>
138.	Authors:	Nor Idayu Ibrahim, Arba'iyah Ab. Aziz, Mohamad Kamal Abd. Aziz, Siti Hazwani Mohd Khalili, Zalina Mohd Zamri
	Paper Title:	<a href="#">Children Customary Clothes in Malay Ceremonies of Adat Memajak Tanah; Baby's First Step Ceremony and Adat Bertindik; Ear Piercing Ceren</a>
139.	Authors:	Jonathan Gultom, Samuel Anindyo Widhoyoko
	Paper Title:	<a href="#">Innovation Canvas: A Mind-Mapping Tool Restructuring Business Idea</a>
140.	Authors:	Stien J. Matakupan , I Made Putrawan, Amos Neolaka
	Paper Title:	<a href="#">The Effect of Personal Commitment and Personal Investment, Intention to Act on Students' Citizenship Behaviour (a 2016 Causal Study From S</a>
141.	Authors:	Librita Arifiani, Librita Arifiani
	Paper Title:	<a href="#">The Effect of Disruption Technology, Opportunities and Challenges of Telecommunication Industry 4.0 in Indonesia</a>
142.	Authors:	Pinondang Simanjuntak, Mukhneri Mukhtar, Mochamad Wahyudi
	Paper Title:	<a href="#">The Effects of Transformational Leadership, Learning Organizations and Decision Making on Lecturers' Professional Commitment</a>
143.	Authors:	Eka Apriyanti, Made Putrawan, Amos Neolaka
	Paper Title:	<a href="#">The Effect of Individual Modernity, Religiosity, Cohesiveness, and Social Support on Fishermen's Quality of Life (A 2017 Causal Study from Fi</a>
144.	Authors:	Anna C. Bocar, Sonia Shibila Allen
	Paper Title:	<a href="#">Foremost Factor that Distracts Students Achievement on Academic Goals and their Prevailing Stress Reliever Activities</a>
145.	Authors:	Muhd Khaizer Omar, Muhammad Aiman Arifin, Roziah Mohd Rasdi, Mohd Ashraff Mohd Anuar, Abdullah Mat Rashid, Mohd Hazwan Mohd Pua
	Paper Title:	<a href="#">The Dynamics of Disposition in the Teaching Profession: Exploring Narrative from Technical and Vocational Education and Training (TVET) Te</a>
146.	Authors:	Mustofa Kamil, Dadang Yunus Lutfiansyach, Cucu Sukmana
	Paper Title:	<a href="#">Rural Youth Entrepreneurship Training Based on Local Potential</a>
147.	Authors:	Ade Sadikin Akhyadi, Dadang Yunus Lutfiansyach, Cucu Sukmana
	Paper Title:	<a href="#">Group Dynamics-Based Youth Empowerment Model In Improving Social Entrepreneurship Competence</a>
148.	Authors:	Nur Ida, Ihat Hatimah, Mustofa Kamil, Oong Komar
	Paper Title:	<a href="#">Andragogical Content Knowledge (ACK) Model in Improving Tutor Competence</a>
149.	Authors:	Wiwin Herwina, Mustofa Kamil, Ishak Abdulhak, Ihat Hatimah
	Paper Title:	<a href="#">The Cooperative Experiential Learning Model Based on Soft Skill and Hard Skill in Improving Trainees Competence at the Beauty Cour Province, Indonesia</a>
150.	Authors:	Malini Kanjanapathy, Maisarah Bt Mohamed Saat Azman Hashim
	Paper Title:	<a href="#">Corporate Frauds in Emerging Markets: Cases Involving Malaysia Companies</a>
151.	Authors:	Sanil S Hishan, Suresh Ramakrishnan, Ahmad Jusoh, Muhammad Imran Qureshi, Norhalimah Idris
	Paper Title:	<a href="#">Multifaceted Meaning of Corporate Social Responsibility (Csr) : A Case Study Among Insurance Company, Non-Government Organization and</a>
152.	Authors:	Lee Ah Suat, Ong Tze San
	Paper Title:	<a href="#">Corporate Environmental Management: Eco-Efficiency and Economics Benefits among Manufacturers Certified with EMS14001 in Malaysia</a>

153.	Authors:	Yati Md Lasa, Norizan Ahmad, Roshana Takim
	Paper Title:	<a href="#">Key Credit Factors for Public Private Partnership (PPP) Projects Financing in Malaysia</a>
154.	Authors:	Muhammad Yasir, Faiz Ahmad , Puteri Sri Melor, Sami Ullah, Muhammad Ali
	Paper Title:	<a href="#">The Influence of Fiber Length and Concentration on the Thermal Properties of Basalt Fiber Reinforced Intumescent Coating</a>
155.	Authors:	Lai Chee Sern, Mohammed Adamu Hamisu, Kahirol Mohd Salleh Babayo Yakubu Adamu
	Paper Title:	<a href="#">Differences of TVET Teachers' Perceptions on Competency across Different Types of TVET Institutions in Nigeria</a>
156.	Authors:	Triyanto, Rima Vien Permata Hartanto
	Paper Title:	<a href="#">Contestation of Concepts, Legislation and Institutions Governing Indigenous Peoples in Indonesia and Its Impact on the Fulfillment of Their Co</a>
157.	Authors:	Rafee, Y. M., Awang Arshad A. H., Siri H., Jussem S.W., ala, P., Maying D., Aman Leong, S. N
	Paper Title:	<a href="#">Batuh Narit Arur Bilit of Pa' Umor: A Visual Analysis onto a Carved Stone from the Megalithic Monuments of the Kelabit Highlands</a>
158.	Authors:	D.Sivakumar, M.PremAnand , K.Deepan Raj, P.Thalapathi Raj, R.Yashwanth, S.Yogesh
	Paper Title:	<a href="#">Electronic Stick for Visually Impaired People with Buzzer Alert</a>
159.	Authors:	Mohammad Muzhafar Bin Idrus, Mehdi Abbass Mohsin
	Paper Title:	<a href="#">Motivation of Language in Literary Text: A Study of Toni Morrison's Sula</a>
160.	Authors:	Dewi Gunawati
	Paper Title:	<a href="#">Empirical Reflection on the Implementation Effectiveness of Community Empowerment Program in Mount Merbabu National Park</a>
161.	Authors:	Indrianti Wakhyuni, Dan Aty Herawati
	Paper Title:	<a href="#">Comparison of Cost Effectiveness Analysis (CEA) for Chronic Disease Management Program (Prolanis) Participants and Non Participants (Patients Year 2014 - 2016</a>
162.	Authors:	Yurniwati, Tafdil Husni, Rida Rahim, Desyetti
	Paper Title:	<a href="#">Development Model of Syari'ah Financial Service Cooperatives with Data Envelopment Analysis Approach and Financial Performance, Cooperatives in West Sumatera)</a>
163.	Authors:	Jihan Rufaidah Mustapha, Chow Weng Sum, Abdul Ghani Rafek
	Paper Title:	<a href="#">Rock Slope Stability Assessment of Gunung Rapat Limestone Hills, Kinta Valley, Perak, Malaysia</a>
164.	Authors:	Nur Shahadah Abdul Rahim, Fatin Aliah Phang, Jaysuman Pusppanathan
	Paper Title:	<a href="#">Action Research to Improve Students' Problem Solving using Multiple Modes of Representation</a>
165.	Authors:	Aditya Wahyu Nugraha, Ono Suparno, Nastiti S Indrasti
	Paper Title:	<a href="#">Water Reuse Strategy in Leather Tannery Process</a>
166.	Authors:	Christian Raditya Widyanto, Ari Budi Kristanto, Usil Sis Suchyo
	Paper Title:	<a href="#">The Influence of Tax Aggressiveness as an Intervening Variable on the Relationship Between Managerial Ownership and Firm Value</a>
167.	Authors:	Tengku Amran Tengku Mohd, Mohd Zaidi Jaafar
	Paper Title:	<a href="#">Adsorption of Anionic Sodium Dodecyl Sulfate Surfactant on Local Sand and Kaolinite Surfaces: The Prospect of Alkaline and Salinity</a>
168.	Authors:	Muslim El Hakim (Kurniawan), Gatot (Yudoko), Mursyid Hasan (Basri)
	Paper Title:	<a href="#">The Impediments of Small Medium Industries in Government's View in Indonesia</a>
169.	Authors:	Isnari Budiarti, Erni Tisnawati Sule, Hilmiana, Umi Narimawati
	Paper Title:	<a href="#">Human Capital and Partnership Affect the Quality of Graduates of Vocational High School Through Organizational Culture</a>



170.	Authors:	Nurhidah Munawer, Rozilawati Shahari
	Paper Title:	<a href="#">Early Growth of Zingiber Zerumbet (L.) Smith as Affected by Different Organic Fertilizers and Harvesting Times</a>
171.	Authors:	Astuti Masdar, Noviarti, Bambang Suhendro, Suprpto Siswosukartor, Joko Sulisty
	Paper Title:	<a href="#">Elastic Behavior of Connection System with the Addition of Wooden Clamp on Bamboo Truss Structure</a>
172.	Authors:	Lin Li, Meng Chao
	Paper Title:	<a href="#">Analysis of Environmental Factors Which Affect the Development of Ride-Sharing Platform in China Based on ISM Model H</a>
173.	Authors:	Rai Naveed Arshad, Zolkafle.Buntat, Ali M.Dastgheib, Mohd Hafizi Ahmad, Kaleem U. Babar
	Paper Title:	<a href="#">Treatment Chamber with Turbulent Flow for Liquid Food Pasteurization</a>
174.	Authors:	Sherly Ferro Lensun, Helena M.L Pandi
	Paper Title:	<a href="#">Basic Kanji Learning Strategy of Japanese Language Education Program Faculty of Language and Arts Faculty of Manado State University</a>
175.	Authors:	Rohani Mohd, Anizah Zainuddin, Shereen Noranee, Marziah Mokhtar, Badrul Hisham Kamaruddin
	Paper Title:	<a href="#">Does Islamic Attributes Matter to All Age Group of Muslim Tourists in Their Preferences of Destination?</a>
176.	Authors:	Nur Syamimi Jiran, Zaina Norhallis Zainol, Muhamad Zameri Mat Saman, Noordin Mohd Yusof
	Paper Title:	<a href="#">Cost Assessment on the Application of Hollow Fibre Membrane Module in Wastewater Treatment System in Small Scale Textile Industry</a>
177.	Authors:	D.Sivakumar, J.Sri Arunaa, T N Suresh Babu
	Paper Title:	<a href="#">Design of Mimo Antenna for Wlan/Wimax Applications</a>
178.	Authors:	Karin Amelia Safitri
	Paper Title:	<a href="#">An Empirical Study of Relationships Between Islamic Insurances and Economic Growth</a>
179.	Authors:	Li Woon Koay, Yasir Hashim
	Paper Title:	<a href="#">Design of a Fully Wireless Indoor Smart Energy Saving and Monitoring System</a>
180.	Authors:	Caroline Akhras
	Paper Title:	<a href="#">Business Leadership Styles and Workplace Assessment by Example of Mena</a>
181.	Authors:	Mohammad Makki, Nouhad Mawad
	Paper Title:	<a href="#">Lebanese Real Estate Sales, Analysis and Empirical Evidence Between Years 2002 and 2016</a>
182.	Authors:	Diala Yassin, Yehya Skaf
	Paper Title:	<a href="#">The Role of the Consumer's Demographic Factors in Social Consumption</a>
183.	Authors:	Caroline Akhras
	Paper Title:	<a href="#">The Mena Business Context and Indigenous Assessment</a>
184.	Authors:	Diala Yassin, Yehya Skaf
	Paper Title:	<a href="#">The Impact of the Attitude towards CSR on the Intention of Buying Ecological Products</a>
185.	Authors:	M. Kathirvelu
	Paper Title:	<a href="#">Design and Implementation of Optimized Area and Pdp Multiplier for High Speed Digital Circuit Applications</a>
186.	Authors:	Siddique Ahmed Chamhuri Siwar, A. S. A. Ferdous Alam, Basri Abdul Talib, Norshamliza Chamhuri, Nor Diana Mohd Idris
	Paper Title:	<a href="#">Determinants of Willingness to Pay Towards Malaysian Organic Food</a>

187.	Authors:	Donal Matheos Ratu
	Paper Title:	<a href="#">Mongondow Pronoun: the Teaching of Indonesian Local Language in the Context of National Language</a>
188.	Authors:	Ahmad Ashaal, Ahmed Bakri
	Paper Title:	<a href="#">A Multidimensional Poverty Analysis: Evidence From Lebanese Data</a>
189.	Authors:	Bilal Toufaily, Ali Halawi
	Paper Title:	<a href="#">Impact of ISO 22000:2005 on Job Performance Case of AIG and Harkous Chicken Group</a>
190.	Authors:	Ali Abdul-Jabbar Mohammed, M. A. Burhanuddin, Adel Abdul-Jabbar Alkhazraji, Ali Abdul-HussianHassan, HalizahBasiron
	Paper Title:	<a href="#">A Multi-Layer Sensing as a Service Model Based on Internet of Things for Smart-Healthcare Applications</a>
191.	Authors:	S. Srivathsani , S. Vasantha
	Paper Title:	<a href="#">Influence of Digital Economy on School Education in India</a>
192.	Authors:	Lekha Padmanabhan
	Paper Title:	<a href="#">The Expanding Role of Online Learning Towards Perception of Engineering Students</a>
193.	Authors:	S.Preetha, S.Iswarya
	Paper Title:	<a href="#">Factors Influencing the Intension to use Food Online Order and Delivery Appvia Platforms- Using Tam(Technology Acceptance Model)</a>
194.	Authors:	Yasmeen Bano , S.Vasantha
	Paper Title:	<a href="#">Review on Strategies for Bridging the Employability Skill Gapin Higher Education</a>
195.	Authors:	R. Jeyanthi
	Paper Title:	<a href="#">Attitude Towards Computers in Education Among Prospective Teachers</a>
196.	Authors:	Jainab Zareena
	Paper Title:	<a href="#">Internship for Knowledge Enhancement – An Exploratory Study</a>
197.	Authors:	G.Sankararaman, S.Suresh, TC. Thomas
	Paper Title:	<a href="#">Impact of Economic Decisions on Behaviour of Bombay Stock Exchange in India</a>
198.	Authors:	P. Sarika , S. Vasantha
	Paper Title:	<a href="#">Impact of Mobile Wallets on Cashless Transaction</a>
199.	Authors:	V.Girija
	Paper Title:	<a href="#">Resilient Behaviour Among Student Teachers in Colleges of Education in Relation to Mental Health</a>
200.	Authors:	S. Chandrachud, Padmapriya
	Paper Title:	<a href="#">Perplexity of Export, Employment and Expenditure MSME -Vs- SEZ A Comparative Study on Creation of Employment OpportunitiesinIndia</a>
201.	Authors:	S. Chandrachud, S. Venkatesa Moorthi
	Paper Title:	<a href="#">Reciprocated effect of Human Cause: Linkages of Human Health and Environmental Pollution</a>
202.	Authors:	M.Bhuvana, S.Vasantha
	Paper Title:	<a href="#">Ascertaining the Mediating Effect of Financial Literacy for accessing Mobile Banking services to achieve Financial Inclusion</a>
203.	Authors:	T.Charulakshmi , M.Thaiyalnayaki
	Paper Title:	<a href="#">A Study on Problems Faced by the Women Entrepreneur in Kancheepuran District</a>

204.	Authors:	Binu Christeena, S. Preetha
	Paper Title:	<a href="#">Role of Nudges in Transformation of Risk Into Purchase Intention in Online Shopping of Electronic Products</a>
205.	Authors:	Vinita Kumari, S Vasantha
	Paper Title:	<a href="#">Review on Mediating Effect of Resilience and Emotional Intelligence Between Occupational Stress and Job performance</a>
206.	Authors:	G.Sankararaman, S.Suresh, TC. Thomas, Ms. Vishnupriya
	Paper Title:	<a href="#">A Study on Volatility in Stock Market(NSE) Based on Select Sectoral Indices During Union Budget Period of India</a>
207.	Authors:	P.G.Thirumagal, G.Madhumita, V.Krishna priya
	Paper Title:	<a href="#">Collision Of Social Network Sites Among College Students Academic Performance</a>
208.	Authors:	S.Subhashini, S.Preetha, C.Sivapriya
	Paper Title:	<a href="#">Motivational Factors Influencing Professionals to Enrol for Online Courses</a>
209.	Authors:	Kyubark Shim
	Paper Title:	<a href="#">Variable Selection Using Nearest Neighbor Rule in Discriminant Analysis of Dichotomous Data</a>
210.	Authors:	Hyeong-Sam Park, Sang-Hyun Lee
	Paper Title:	<a href="#">Study on Laser Welding Monitoring System</a>
211.	Authors:	An-Gyoon Jeon, Sang-Hyun Lee
	Paper Title:	<a href="#">Design and Development of Logistic Artificial Neural Network for Electronic Commerce</a>
212.	Authors:	Dae-Won Kong, Sang-Hyun Lee
	Paper Title:	<a href="#">Study of Wireless Communication Technology Between Led-Based Vehicles Using CSK Method</a>
213.	Authors:	Rakhi Sharma, Ajit Mittal, Teena Bagga
	Paper Title:	<a href="#">Customer Satisfaction for ATM Services: A Comparative study of Public &amp; Private Sector Banks in Sahibabad</a>
214.	Authors:	Kyoungsan Seo
	Paper Title:	<a href="#">Systematic Development of Theory-based Physical Activity Program using Mobile Application</a>
215.	Authors:	Kang-Hee Lee, Ho-Sun Shin
	Paper Title:	<a href="#">Design and Implementation of a Social Robot-Based Companion Animal Care Service</a>
216.	Authors:	Young Il Kwon, Hoon Cha, Su In Park, Gyu Min An, Gyu Ri Kim, Moon Sam Shin
	Paper Title:	<a href="#">A Clinical Evaluation of an Anti-aging Cosmetics Containing Functional Peptides and an Epidermal Penetrating Peptide</a>
217.	Authors:	Hoon Cha, Young Il Kwon, Su In Park, Gyu Min An, Gyu Ri Kim, Moon Sam Shin
	Paper Title:	<a href="#">Clinical Study on Atopic Dermatitis and Skin Itchiness Using Cosmetics Containing Palmitoyl Oligopeptide-1, a Skin Penetrating Peptide and Ir</a>
218.	Authors:	Young Il Kwon, Hoon Cha, Seon Hwa Kim, Su In Park, Moon Sam Shin, Gyu Ri Kim
	Paper Title:	<a href="#">Clinical Efficacy and Safety of an Anti-Cellulite Cosmetics Containing High Content of Caffeine Complex and a Transdermal Penetrating Peptide</a>
219.	Authors:	Kyeong-Mi Kim, Young-Won Kim, Seung-Taek Oh, Jae-Hyun Lim
	Paper Title:	<a href="#">Design of UVB-LED Lighting System to Support the Office Worker's Synthesis of Daily Vitamin D</a>
220.	Authors:	Cheol Jong Oh, Eun Kyoung Jwa, Jeong Woo Jwa
	Paper Title:	<a href="#">Development of Smart Tourism App Using Bluetooth Low Energy Beacons</a>

221.	Authors:	Jin Sung Kim, Hyeon Jun Kang, Jeong Woo Jwa
	Paper Title:	<a href="#">Smart Tourism Monitoring Device Based on IoT Technologies</a>
222.	Authors:	Sun-Kuk Noh, Tae-Soon Yun
	Paper Title:	<a href="#">Multi-Stage Rat-race Ring Coupler for Broadband Application</a>
223.	Authors:	Jeong-lae Kim, Jae-sil Choi
	Paper Title:	<a href="#">Evaluation of Bumpy Spot of Stuff Delivery for the Bleed Sonance on the Pulse Variance Understanding System</a>
224.	Authors:	Jeong-lae Kim, Kyung-seop Kim
	Paper Title:	<a href="#">Specification of Jagged Spot by the Lipper Sonance of Stuff Delivery on the Spread Variance Knowledge System</a>
225.	Authors:	Jeong-Gi Lee, Chul-Jun Choi, Nam-Su Kwak, In-Pyo Cha
	Paper Title:	<a href="#">A Research on the Porous Analysis and Air Purification Efficiency for Air Clean Tower in the Outdoor</a>
226.	Authors:	Eun Soo Choi, Seo Won Song, Yeun Su Kim, Ji Hyung Yoo, Chunhwa Ihm, Mi Kyoung Lim, Dong Hyuk Sheen, Min Soo Kang
	Paper Title:	<a href="#">A Study on Questionnaire for Self-Diagnosis Rheumatoid Arthritis</a>
227.	Authors:	Junhyung Kim
	Paper Title:	<a href="#">Priority-Based Blind Rendezvous Scheme for Post-Disaster Scenario Networks</a>
228.	Authors:	Pavan Kumar Kolluru, Sri Vijaya Kondapalli, Meka Sowjanya
	Paper Title:	<a href="#">An Integrated Health Care System using IOT</a>
229.	Authors:	Kim, Gok Mi
	Paper Title:	<a href="#">A Study on Convergence Design using Information and Communication Technology</a>
230.	Authors:	Parimala Garnepudi, S Siva Nageswararao, K Lakshminadh
	Paper Title:	<a href="#">DDSRC: Algorithm for Improving QOS in VANET</a>
231.	Authors:	Cheong-Gu Yun, Chang-Sik An, Jeong-lae Kim
	Paper Title:	<a href="#">Effects of Lower Extremity Exercise on the Patients with Knee Osteoarthritis on the Basis of a Meta Analysis</a>
232.	Authors:	Lionel Nkenyereye, Jong-Wook Jang
	Paper Title:	<a href="#">A Sensing Data Collection Strategy in Software-Defined Mo-bile-Edge Vehicular Networks</a>
233.	Authors:	Stanislav Pracek
	Paper Title:	<a href="#">Pseudo Forces in Yarn Unwinding from Packages</a>
234.	Authors:	Purwa Hasan Putra, Muhammad Zarlis, H Mawengkang
	Paper Title:	<a href="#">Analysis Algorithm Kohonen and Momentum on the Back propagation Neural Network</a>
235.	Authors:	H.Simanjuntak, M Zarlis, P H Putra
	Paper Title:	<a href="#">Analysis of Centroid Value Variations Against the Number of Iterations Using the Clustering K-Means Algorithm</a>
236.	Authors:	A Hasibuan, M Zarlis, H Mawengkang, P H Putra
	Paper Title:	<a href="#">An Analysis of Kohonen Algorithm Addition to the Backpropagation Method in Processing of Recognizing Temperature Data</a>
237.	Authors:	J Simangunsong, S Efendi, P H Putra
	Paper Title:	<a href="#">Analysis of Using Binary and Bipolar Data in Knowing the Logic Gate Using Perceptron Method</a>

238.	Authors:	E S Ompusunggu, S Efendi , P H Putra
	Paper Title:	<a href="#">Analysis of Apriori Algorithm in Mining Drug Sales Data at Ridos Hospital</a>
239.	Authors:	Yusrizal, Mukhlis, Nanda Amalia
	Paper Title:	<a href="#">Adat Court vs Syar'Iyah Court: Study of the Legal Culture of Aceh Communities Completing the Khalwat Cases</a>
240.	Authors:	Zahedi Herman Mawengkang, Marwan Affandi, Mahrizal Masri
	Paper Title:	<a href="#">Some Applications of Engineering Mathematics in Mechanical Engineering</a>
241.	Authors:	Al Chaidar Abdurrahman Puteh, Abidin Nurdin, T. Nazaruddin , Alfian Lukman
	Paper Title:	<a href="#">The Syiah Turmoil in a Sharia Soil: An Anthropological Study of Hidden Syiah Minority Entity in Contemporary Aceh</a>
242.	Authors:	Elidar Sari , Teuku Nazaruddin, Abidin Nurdin, Al Chaidar Puteh
	Paper Title:	<a href="#">The Syiah Stance in a Sharia Land: A Socio-Legal Study of a Latent Syiah Minority Entity in Contemporary Aceh</a>
243.	Authors:	Harvina Sawitri, Cut Asmaul Husna
	Paper Title:	<a href="#">Calculating Blood Needs Using Prediction Models For Major Thalasemia Patients At Cut Meutia Hospital</a>
244.	Authors:	Nur Fardian, Julia Fitriany Puti A. Yuditya
	Paper Title:	<a href="#">Development of Children Aged 3-5 Years Based on Nutritional Status in Banda Sakti District Lhokseumawe, Aceh</a>
245.	Authors:	Nur Fardian, Anna Millizia, Sarah Safira Maulina Debbyousha
	Paper Title:	<a href="#">Mean Arterial Pressure of Preloading and Co loading Intravenous Ringer's Lactate in Spinal Anaesthesia: Study in Cut Meutia Hospital, Lhokse</a>
246.	Authors:	Idaryani Nurdin, Fidyati, Dewi Kumala Sari, Rasyimah
	Paper Title:	<a href="#">The Application of English Specific Purpose (ESP) At Tertiary Level in Aceh</a>
247.	Authors:	Suparni, Herman Mawengkang
	Paper Title:	<a href="#">An Interactive Method for Solving a Lass of Stochastic Multiobjective Integer Linear Programming Problem</a>
248.	Authors:	Ismadi Yunus, Rd. Selvy Handayani, Hafifah, Rahmiyati
	Paper Title:	<a href="#">Morphological Diversity of Avocados (Perseaamericana Mill.) in Central Aceh, Indonesia</a>
249.	Authors:	Aiyub, Rusydi
	Paper Title:	<a href="#">Policy Drugs Prevention Model Based on Local Wisdom in Lhokseumawe</a>
250.	Authors:	Hasbi Ali, Ratih Candrasari
	Paper Title:	<a href="#">Preservation of Local Genius Culture as Efforts to Maintain Nation Existence</a>
251.	Authors:	Muhammad Fazil, Zulham and Subhani
	Paper Title:	<a href="#">Realization of Information and Communication Technology (Ict) Innovation in Several Aceh Districts (Study Lhokseumawe City)</a>
252.	Authors:	Selamat Meliala, Saifuddin, Rosdiana
	Paper Title:	<a href="#">Drying Design Model for Dried-Anchovy Using Solar Collector and Solar Cell Panel Position Control</a>
253.	Authors:	Hijri Juliansyah, Cut PutriMellita Sari, Devi Andriyani, Tarmizi Abbas, Ilham Sanusi
	Paper Title:	<a href="#">Efficiency of Conventional Versus Islamic Commercial Banks in Indonesia 2014-2016 Using Data Envelopmentanalysis</a>
254.	Authors:	Dedy Tabrani
	Paper Title:	<a href="#">Familial Terrorism: An Anthropological Analysis on Familial Suicide Bombings in Surabaya, 13-14 May 2018</a>

255.	Authors:	Fajriana, Herman Mawengkang
	Paper Title:	<a href="#">Optimization Model for Group Decisions Based on Consensus in Social Network</a>
256.	Authors:	Evi Ramadhani, Herman Mawengkang Sutarman, Marwan Ramli
	Paper Title:	<a href="#">Controlling Industrial Processes Using Multivariate Exponential Weighted Moving Average (MEWMA)</a>
257.	Authors:	Almira, Herman Mawengkang, Saib Suwilo, Tulus
	Paper Title:	<a href="#">Green Open Vehicle Routing and Scheduling Problem Considering the Time Spent in Traffic Congestion</a>
258.	Authors:	Yenny Suzana, Herman Mawengkang, Marwan Ramli, Opim Salim Sitompul
	Paper Title:	<a href="#">Optimizing Lot Size of Flexible Job Shop Problems by Considering Expiration Aspect</a>
259.	Authors:	Fatma Syarah, Togi, Herman Mawengkang
	Paper Title:	<a href="#">Sample Average Approximation Approach for Solving a Class of Two-Stage Stochastic Integer Programs</a>
260.	Authors:	Erwin, Joni, Herman Mawengkang
	Paper Title:	<a href="#">Developing an Optimization Model for Vehicle Routing Problem with Time Windows Considering Delivery and Pick-Up Simultaneously</a>
261.	Authors:	Taufiq, H Mawengkang, M.Zarlis, Maryana, Facrurazi, Sulhatun
	Paper Title:	<a href="#">Dissemination Model of Android Based Village Information Technology for Communities in Bireuen District</a>
262.	Authors:	D. Rizki, K. Kurniawati, N. Fadhillah, K. Khalsiah
	Paper Title:	<a href="#">The Globalization of English as a Threat to Local Minority Languages and its Implication for English Language Teaching</a>
263.	Authors:	Safuwani, Syahriandi, Fakhurrizi, Muhammad Ali
	Paper Title:	<a href="#">Analysis of Cultural Psychology Regarding the Phenomenon of Salaman Kissing the Hands of Lecturers Among Indonesian Student</a>
264.	Authors:	Khalsiah, Nurul Fadhillah, Ratri Candrasari, Kurniawati, Dini Riski, Syafira Yunidar, Yuni Wulandari, Riyandhi Praza
	Paper Title:	<a href="#">Khauri Kubu (A Unique Culture from Lambiheu Siem, Great Aceh)</a>
265.	Authors:	Saifuddin, Selamat Meliala, Rosdiana Wahyuddin Albra, Ikramuddin
	Paper Title:	<a href="#">Solar Cell Position Control Building Design Using Microcontroller for Optimizing Power Sunway in the Coffee Drying Application</a>
266.	Authors:	Harinawati, Anismar A M Husniati, C Puspasari, W Sari
	Paper Title:	<a href="#">Good Governance of Public Relation Government Strategy in Lhokseumawe City Through the Website <a href="http://www.lhokseumawekota.go.id">www.lhokseumawekota.go.id</a></a>
267.	Authors:	Rohit Mohan, Rai R. S. , Dwarika Prasad Uniyal , Teena Bagga
	Paper Title:	<a href="#">Customer Service and Customer Retention</a>
268.	Authors:	Gemala Dewi, SH., LL.M, Azikra Yastadzi Sidik, SH.
	Paper Title:	<a href="#">Questioning the Authority to Settle Bankruptcy Cases of Sharia Financial Institution in Indonesia: in Religious Court or Commercial Court?</a>
269.	Authors:	Harif Amali Rivai, Hendra Lukito
	Paper Title:	<a href="#">Impact of Justice Perceptions and Job Satisfaction on Nurses' Work Motivation: An Evidence at Private Hospitals in West Sumatra Province, Indonesia</a>
270.	Authors:	Yadav, L. Ram , Rai, R. S., Srivastava, Sanjay, Teena Bagga
	Paper Title:	<a href="#">Is Training Necessary?</a>
271.	Authors:	Khatijah Omar, Muhammad Abi Sofian Abdul Halim, Hazman Samsudin, Zaleha Mohamad , Isma Rosila Ismail Siti Nur 'Atikah Zulkiffli
	Paper Title:	<a href="#">Self-Engagement in Avitourism: A Case of Taman Negara Bird Count (TNBC2017) Malaysia</a>

272.	Authors:	Manu Nanda, Radhe Shyam Rai, Dwarika Prasad Uniyal, Teena Bagga
	Paper Title:	<a href="#">Consumer Buying Behaviour in Computer Peripherals Brick Mortar Stores in India</a>
273.	Authors:	Norhayati Ab Manaf, Ramle Abdullah, Khatijah Omar, Muhammad Abi Sofian Abdul Halim, Mohamad Hafis Amat Simin, Sahar Sa'di Hashim
	Paper Title:	<a href="#">Local Community Partnership in Social Development Program: National Community Case Study in Terengganu</a>
274.	Authors:	Nurhaya Baniyamin, Zaiton Abdul Rahim
	Paper Title:	<a href="#">Science Centre Engagement on Visitor Personal Connection</a>
275.	Authors:	Md. Zahidul Islam
	Paper Title:	<a href="#">Film Censorship Regulators in Malaysia and Bangladesh</a>
276.	Authors:	Rakhi Sharma, Ajit Mittal, Teena Bagga
	Paper Title:	<a href="#">Customer Satisfaction for ATM Services: A Comparative Study of Public Private Sector Banks in Sahibabad</a>
277.	Authors:	Trisnawati
	Paper Title:	<a href="#">Human Resources Information System and Impact on Human Resources Planning</a>
278.	Authors:	V.G.Amrita Deepika, M.Aravind Srivatsan, B.Aruthra, Bindu Babu
	Paper Title:	<a href="#">Human Essential Parameters Monitoring and Precaution System</a>
279.	Authors:	Nurhasnah Manurung, Masnadi M, Pandu Prabowo Warsodirej
	Paper Title:	<a href="#">Analysis of Plant Biodiversity Using Transect Method in Eden Park Forest 100</a>
280.	Authors:	Isworo Pujotomo Sasmoko A.Bandur Nugroho J. Setiadi
	Paper Title:	<a href="#">Performance of Industrial Revolution-Base Lecturers 4.0</a>
281.	Authors:	Noriesah Ahmad, Nurul Farhana Jumaat, Norazrena Abu Samah, Zakiah Mohamad Ashari, Abdul Halim Abdullah, Dayana Farzeeha Ali
	Paper Title:	<a href="#">The Effect of Metacognitive Scaffolding Framework Towards Students' Performance</a>
282.	Authors:	O Y Usman, M K Abdullah , N Mohammed
	Paper Title:	<a href="#">Estimating Electricity Consumption in the Commercial Sector of Nigeria's Economy</a>
283.	Authors:	Saslina Kamaruddin, Nadia Nabila, Kang En Qie
	Paper Title:	<a href="#">Imposing Penalty for Internet Addiction in Malaysia: Lesson from South Korea</a>
284.	Authors:	Sanil S Hishan, Suresh Ramakrishnan, Yamunah Vaicondam, Muhammad Imran Qureshi
	Paper Title:	<a href="#">Corporate Social and Enviornmental Disclosure Among Malaysian Listed Companies</a>
285.	Authors:	Weini Soh
	Paper Title:	<a href="#">Non-Performing Loan and Economic Determinants in Asia-Pacific Countries: Evidence from Credit Card Debt</a>
286.	Authors:	T. Kamal Raj, Hariom Mishra, Avinash verma
	Paper Title:	<a href="#">Implementation of Adaboost &amp; Majority Voting for Credit Card Fraudulent Transaction Detection</a>
287.	Authors:	Nur Izzaty Abdul Rahim, Maizatul Nadwa Che Aziz, Fatin Aliah Phang, Nor Farahwahidah Abd Rahman, Jaysuman Pusppanathan
	Paper Title:	<a href="#">Student Self-Regulated Learning in Physics at a Higher Education Institute</a>
288.	Authors:	Rijanti Rahaju Maulani, Asep Hidayat, Ujang Dinar Husyari
	Paper Title:	<a href="#">Functional Properties of Dual Modified White Corn Starch</a>

289.	Authors:	Abu Hassan Nordin, Norzita Ngadi Zurina Mohamad, Mazura Jusoh, Agus Arsad
	Paper Title:	<a href="#">Chemical Regeneration of Modified Magnetic-PEI-Cellulose Adsorbent for Removal of Anionic Reactive Black 5 Dyes</a>
290.	Authors:	N.Neelima, B.Basaveswar Rao, K.Gangadhara Rao K.Chandan
	Paper Title:	<a href="#">Formulation of Profit Aware Algorithms for VM Provisioning using Finite Queueing Model</a>
291.	Authors:	Pavan S, S Usha, Rakshith S, Vijay Joshi, Ravindra Acharya G R
	Paper Title:	<a href="#">Stock Price Prediction Using Data Mining Techniques</a>
292.	Authors:	Bhagya Lakshmi. D.N, Usha.S
	Paper Title:	<a href="#">Tracking of Blood Donor and Organ Donor Application</a>
293.	Authors:	Manjunatha M S, S Usha, Chaya Bhat C, Manu R, Kavya S
	Paper Title:	<a href="#">Blockchain Based Loyalty Platform</a>
294.	Authors:	Muhieddine Ramadan, Farid Abdallah
	Paper Title:	<a href="#">The Effect of Corporate Governance Proxies on Firm's Financial Performance. An Empirical Analysis from Beirut Stock Exchange</a>
295.	Authors:	Bilal Jibai, Hassan Najdi
	Paper Title:	<a href="#">Governing Medical Big Data, Protecting Patient Privacy</a>
296.	Authors:	Chukri Akhras
	Paper Title:	<a href="#">The Influence of Social Media on Lebanese Students' Buying Decisions</a>
297.	Authors:	Siti Nur Fateha Mohd Paiz, Mimi Suliza Muhamad, Nuramidah Hamidon, Mohamad Hairi Osman, Mohd. Hezri Mohd. Lwi @ Mokhtar
	Paper Title:	<a href="#">The Performance of Windshield Glass Waste as a Replacing Material for Coarse Aggregate in Concrete</a>
298.	Authors:	Nuramidah Hamidon, Khalid Salleh, Mariah Awang, Mimi Suliza Muhamad
	Paper Title:	<a href="#">Study of the Amount of the Domestic Energy Consumption at Kolej Kediaman Pelajar UTHM Pagoh by Relating with Carbon Dioxide Emission</a>
299.	Authors:	Muftahu Jibirin Salihu, Hazri Jamil (Suspended due to technical reason)
	Paper Title:	<a href="#">Gender Equality in Access to Higher Education: An Empirical Investigation into the Female Participation in Northern Nigeria</a>
300.	Authors:	Usaini Aliyu
	Paper Title:	<a href="#">How to Develop Traditional Textiles to Make Them Modern to the Contemporary World Through the Use of Digital Technology</a>
301.	Authors:	HariPriya Nair, P. Manimegalai, N. Rajalakshmi
	Paper Title:	<a href="#">An Energy Efficient Dynamic Probabilistic Routing Algorithm for Mobile Adhoc Network</a>
302.	Authors:	N.Kaleeswari, R.Arun Chakravarthy, M.Arun
	Paper Title:	<a href="#">Adaptive Heart Monitoring System using Iot</a>
303.	Authors:	P.Kanimozhi, T. Aruldoss Albert Victoire
	Paper Title:	<a href="#">Vicissitudes of Security And Privacy (Visp) in Cloud Computing: A Study on Multi-Cloud Data Sharing Issues</a>
304.	Authors:	D. Saravanan, S. Usharani, R. Parthiban, S. G. Sandhya
	Paper Title:	<a href="#">Elegant App to Endorse Indian Merchandise Intended for Monetary Maturity</a>
305.	Authors:	U.Palani, D.Saravanan, R.Parthiban, S.Usharani
	Paper Title:	<a href="#">Lossy Node Elimination Based on Link Stability Algorithm in Wireless Sensor Network</a>



306.	Authors:	N. Balasundaram, V. Muruges
	Paper Title:	<a href="#">Experimental Investigation on Properties of Concrete by Replacing Cement With Water Hyacinth Ash</a>
307.	Authors:	R.Parthiban, S.G.Sandhya, U.Palani, D.Saravanan
	Paper Title:	<a href="#">Security Improvement in Open Cloud Environment using Arithmetic Algorithm</a>
308.	Authors:	G Rajendar, Basavaraja Banakara
	Paper Title:	<a href="#">Improvement of Voltage Stability of Radial 28 Bus System using L-Index Sensitivity Matrix</a>
309.	Authors:	D.Saravanan, R.Parthiban U.Palani S.G.Sandhya
	Paper Title:	<a href="#">Sheltered and Effcient Statistics Discrimination for Cluster Based Wireless Antenna Networks</a>
310.	Authors:	S.G.Sandhya, D.Saravanan, U.Palani, S.Usharani
	Paper Title:	<a href="#">Handover Priority to the Data at Knob Level in VANET</a>
311.	Authors:	V.Johnpaul, N.Balasundharam, S.Sanothini. Pragadheesh , Kameshwaran J, Satheesh kumar. M, M.Balajimanikandan
	Paper Title:	<a href="#">An Experimental Study no Flexural Behaviour of Nano Ggbfs Concrete</a>
312.	Authors:	Ajay Chandel, Krishan Gopal
	Paper Title:	<a href="#">Organic food Acceptance: An Application of Theory of Planned Behavior</a>
313.	Authors:	Amandeep Singh, Abhishek Akaram Patil
	Paper Title:	<a href="#">Impact of Physiography on the Precipitation Pattern – A Case of Sahyadri</a>
314.	Authors:	Abdul Baseer Safi, Dinesh Kumar
	Paper Title:	<a href="#">Research Attitude among Afghan University Teachers: The Role of Social Support</a>
315.	Authors:	Hariom Sharma, Chindu Karoth, Samreen Naz
	Paper Title:	<a href="#">Perceived Stress as Predicting and Loneliness as Mediating Factors in Development of Alcohol Abuse Among Young Adults</a>
316.	Authors:	Samreen Naz, Hariom Sharma
	Paper Title:	<a href="#">Emotional Competence Among Medical Employees</a>
317.	Authors:	Amrita Sidhu, Pretty Bhalla, Inaas
	Paper Title:	<a href="#">Impact of Emotional Intelligence on Quality of Romantic Relationships: Review Research</a>
318.	Authors:	Amrita Sidhu, Pretty Bhalla, Inaas
	Paper Title:	<a href="#">Review research on Dissolved Romantic Relationships at Workplace: Process, Factors &amp; Consequences</a>
319.	Authors:	Savita Gupta, Liyaqat Bashir
	Paper Title:	<a href="#">Validation of Metacognitions Questionnaire in Indian Context</a>
320.	Authors:	Jose Vattakuzhy, Vinod CV
	Paper Title:	<a href="#">Balance for Better: An Analysis of Women’s Working Conditions</a>
321.	Authors:	Mithilesh Pandey, Neelam Nakra, Rajesh Poonia
	Paper Title:	<a href="#">Understanding the Effect of Service Value Network in Transformation of Society</a>
322.	Authors:	Gurdeep Kour, Rohita Sharma
	Paper Title:	<a href="#">Guru Gobind Singh in Portraiture: Alterations and Adaptations in Originality</a>

323.	Authors:	Harish Mittu, Lino K Zhimomi
	Paper Title:	<a href="#">Influence of School Climate on Achievement Motivation of Higher Secondary School Students</a>
324.	Authors:	Krishan Gopal, Rajesh Verma, Ajay Chandel
	Paper Title:	<a href="#">Successful Political Marketing: A Punjab Voter's Point of View</a>
325.	Authors:	Sukhvinder Kaur, Jitpal Aggarwal
	Paper Title:	<a href="#">Cries of the Blacks: Psychic Anxieties of Pecola and Sethe in Toni Morrison's Beloved and The Bluest Eye</a>
326.	Authors:	D. Sivakumar, Deepak. R, Dhanush. Sdhivyalakshmi. G.
	Paper Title:	<a href="#">Monitoring System for Industrial Applications</a>
327.	Authors:	Nitin Malhotra, Smita Devi
	Paper Title:	<a href="#">Treatment of Antisemitism and New World Order in the Finkler Question by Howard Jacobson: An Analytical Study</a>
328.	Authors:	Anshu Narad
	Paper Title:	<a href="#">Teacher Education Accreditation Practices and Procedures: Comparison of Usa, England, Australia and India</a>
329.	Authors:	Manavpreet Kaur Arora
	Paper Title:	<a href="#">Piloting Social Transformation: An Innovative Approach in Mass Education</a>
330.	Authors:	Abhilasha Singh
	Paper Title:	<a href="#">Catastrophe of the Lost Sister of Shakespeare</a>
331.	Authors:	Sunaina Ahuja, Savita Gupta
	Paper Title:	<a href="#">Organizational Commitment and Work Engagement as a Facilitator for Sustaining Higher Education Professionals</a>
332.	Authors:	S. Sobitha Ahila, D.Sivakumar, M.Naveen Nanda, Nivedita, Suresh Kumar Nair, Sruthi Kannan
	Paper Title:	<a href="#">Traffic Lights Analysis and Manipulation for Emergency Vehicles using Deep Learning Algorithm</a>
333.	Authors:	D.Sivakumar, B.Balan, K.Fathima Naseem, Dhivya.T, R.Gayathri
	Paper Title:	<a href="#">An Adaptive Method for Monitoring the Quality of a Structure</a>
334.	Authors:	Balan.B, D.Sivakumar, Murali Krishna.K.B, Niranjan.M, Lakshman Marthandam.R
	Paper Title:	<a href="#">Stair Climbing Robot using Star-Wheel Methodology</a>
335.	Authors:	Sulaiman Adamu Mayanchi, Aqeel Khan, AdibahBinti Abdul Latif
	Paper Title:	<a href="#">Relationship Among Self-Concept, Study Habits and Academic Achievement of Pre-Nee Students in Zamfara State College of Education, Nigeri</a>
336.	Authors:	Senthamizh Selvi.R, D.Sivakumar, Sandhya.J.S, Siva Sowmiya.S, Ramya.S, Kanaga Suba Raja.S
	Paper Title:	<a href="#">Face Recognition using Haar - Cascade Classifier for Criminal Identification</a>
337.	Authors:	S.Sobitha Ahila, D.Sivakumar, Ashwin Suganthan, Arunkumar.M, Manish Kumar S
	Paper Title:	<a href="#">BOT-O- PEDIA - Learning Simplified</a>
338.	Authors:	D.Sivakumar, K.SuriyaKrishnaan, P.Akshaya, G.V.Anuja, G.T.Devadharshini
	Paper Title:	<a href="#">Computerized Growth Analysis of Seeds using Deep Learning Method</a>
339.	Authors:	Ambati Supraja, P.Prasanthi
	Paper Title:	<a href="#">Analysis of a Steel Structure with Knee Bracings by Response Spectrum Method</a>

340.	Authors:	K.Parish Venkata, Kumar B.D.C.N Prasad
	Paper Title:	<a href="#">An Efficient Classification Performance Analysis on Quality Data Management in Health Care Industries</a>
341.	Authors:	Kalathiripi Rambabu, Jennifer Shalini, Shaik Ayesha Anjum, P.Ramya Ramani
	Paper Title:	<a href="#">IOT Based Drowsiness Detection System using Labview</a>
342.	Authors:	Ramanuja Narahariseti
	Paper Title:	<a href="#">Economic Empowerment of Women with Reference to Income Sources and Spending Patterns – A Study Conducted in East Godavari District</a>
343.	Authors:	M.Srinivas, P.Durga Prasad Rao, V.Naga PrudhviRaj
	Paper Title:	<a href="#">Optimization of Node Deployment in Wsn</a>
344.	Authors:	P.Durga Prasad Rao, M.Srinivas, V.NagaPrudhvi Raj
	Paper Title:	<a href="#">A Novel Technique for Localization in Wsn</a>
345.	Authors:	Vijaya Ramineni, Y.Surekha, A. Vanamala Kumar
	Paper Title:	<a href="#">Machine Learning Based Adboost Algorithms</a>
346.	Authors:	Polagani Rama Devi, M.Sailaja, V.SivaParvathi
	Paper Title:	<a href="#">Analysis of Machine Learning Adaboost Based Classifier</a>
347.	Authors:	S. M. Reddy, V. V. Narsi Reddy
	Paper Title:	<a href="#">Social Sector Expenditures and Their Impact on Human Development in India: Empirical Evidence During 2001-02 to 2015-16</a>
348.	Authors:	K. Bhanu Prakash, P. Siva Reddy, K. Ravikiran Yasaswi
	Paper Title:	<a href="#">Equity CrowdFunding in Europe - A New Financial Phenomenon for Gen-Z Entrepreneurs</a>
349.	Authors:	K. Bhanu Prakash, A. Adishesha Reddy, P. Siva Reddy
	Paper Title:	<a href="#">Human Capital Talentum Analytics -A Focus Study on Schools of Business (sobs) in Telangana &amp; Karnataka</a>
350.	Authors:	Swetha, Piyush Jain, Juhi Dadhich, Hiya Choudhary
	Paper Title:	<a href="#">Data Analysis for Real Time Monitoring of Heat Exchangers</a>
351.	Authors:	G.Uma Mahesh Kumar,Suresh Varma P
	Paper Title:	<a href="#">Smart E-Bus Pass System – Step Towards Augmentaion of Technology in Giet Institutions</a>
352.	Authors:	Surya Prasada Rao Borra, Rajesh Kumar Panakala, P. Rajesh Kumar
	Paper Title:	<a href="#">VLSI Implementation of Image Fusion using PCA Algorithm with Maximum Selection Rule</a>
353.	Authors:	G A L Satyavathi , Paparao.A.V, K.Sobhan Babu
	Paper Title:	<a href="#">Dynamics of strong Prey and Weak Predator with Hvrvesting of Prey</a>
354.	Authors:	U Surya Kameswari, Suneetha Bulla, Suresh Babu Chendolu
	Paper Title:	<a href="#">Expanded DDOS Attacks Detection using Snort Rules</a>
355.	Authors:	P. Ashok Reddy, K. Rajasekhara Rao, M. Babu Reddy
	Paper Title:	<a href="#">Study of Software Maintenance and Maintenance Estimation Guidelines</a>
356.	Authors:	Seetha Mani. P, Sarala.y, Jaya Lalitha. G, Srinivsa Kumar. B
	Paper Title:	<a href="#">Strongly Prime Ternary Semi Groups</a>

357.	Authors:	P.Venu Madhav, M. SivaGanga Prasad
	Paper Title:	<a href="#">Characterization of Printed Podal Vivaldi Antennas (8-18 Ghz) on Rt Duroid with Single and Double Cavity</a>
358.	Authors:	S. Mahendra Kumar , K. Prudhvi Raju , A. Haritha
	Paper Title:	<a href="#">IOT Based Smart Room Solutions</a>
359.	Authors:	N V S R C Murty Gamini, Paparao. A.V.
	Paper Title:	<a href="#">A Distributed Delay Model with a Prey, Predator and Competitor</a>
360.	Authors:	L. Ravi Kumar M. Malyadri
	Paper Title:	<a href="#">Scientific Applications on Cloud Computing for Exploring Potential and Performance</a>
361.	Authors:	Mr. Sambasivarao chindam, Rama Devi Burri
	Paper Title:	<a href="#">Snoezelen Bubble Tube – a Therapy for the Mentally Challenged People</a>
362.	Authors:	K. Amarnath , P. Surendernath, M. Gangadhar
	Paper Title:	<a href="#">Performance Evaluation and Optimization of Manufacturing Assembly Line by using Discrete Event Simulation</a>
363.	Authors:	K. Vijay Kumar, G. Radha Devi
	Paper Title:	<a href="#">Robot Path Planning</a>
364.	Authors:	Md. Rafeeq, Ravi Kanth.M, K.Srujan Raju
	Paper Title:	<a href="#">Analysis of Context Vector Machine Based System for Multimedia Information Retrieval</a>
365.	Authors:	Ramachander Damera , Ilango Thaniaras
	Paper Title:	<a href="#">Stabilization of Structures in Seismic Areas Subjected to Different Ground Motions</a>
366.	Authors:	R. Sushmitha, B. Naga Jagadeesh
	Paper Title:	<a href="#">Analysis of Wireless Sensor Application and Architecture</a>
367.	Authors:	D. Subbarao, Tejavath Rama Krishna
	Paper Title:	<a href="#">Multiple Digital Beam forming for Active Phased Array RADARS</a>
368.	Authors:	T V V Pavan Kumar, G Isaac, K Ramesh Babu
	Paper Title:	<a href="#">A Critical Evaluation of Islanding and Seamless Reconfiguration Technique for Microgrid System with Fuzzy Logic Controller Based UPQC Sc</a>
369.	Authors:	G Hemanth Kumar Yadav, K. Madhavi
	Paper Title:	<a href="#">Improving Performance of Live Migration using Log Table Based Method without Violating Service Level Agreement</a>
370.	Authors:	S. Usharani, K. Dhanalakshmi, N. Dhanalakshmi
	Paper Title:	<a href="#">De-Duplication Techniques: A Study</a>
371.	Authors:	Anushria Sai, M. Ganga, R. S. Abisree, Deny Nancy
	Paper Title:	<a href="#">Voice Assistant Application for a College Website</a>
372.	Authors:	Fauziah Binti Mohd Saad, Asma Perveen. Kamarulzaman Bin Kamarudin Madya Mohammad Aziz Shah Bin Mohamed Arip, Norazani Binti Ah
	Paper Title:	<a href="#">Construction and Validity of Module to Empower Bully Handling of Wardens and Students in Boarding Secondary Schools in Malaysia</a>
373.	Authors:	Vineet Shekher, Pankaj Kumar, Surya Deo Chaudhary
	Paper Title:	<a href="#">Computational Analysis and Simulation of Fractional Order PID controller for Ceramic Infrared Heater</a>

374.	Authors:	G. Vasavi, S. Jyothi
	Paper Title:	<a href="#">A Comparative Study of Speckle Reduction Filters for Ultrasound Images of Poly Cystic Ovary</a>
375.	Authors:	J. Suman Kumar Kaundinya, P. Sanyasi Naidu
	Paper Title:	<a href="#">Enhanced and Adaptive Threshold Based Protocol to Handle Energy Consumptions for Ad hoc Networks</a>
376.	Authors:	Jahangir Kamal, Manoj Kumar, Kailash Kumar, Aditya Tandon, Phong Thanh Nguyen
	Paper Title:	<a href="#">Involvement of Computing to Improve Decision Making in Cricket</a>
377.	Authors:	Divyanshu Sinha, Aditya Tandon, Phong Thanh Nguyen, S. Rama Sree
	Paper Title:	<a href="#">An Approach to Brain Tumor Segmentation and Severity Analysis using Particle Swarm Optimization</a>
378.	Authors:	Alok Srivastava, Aditya Tandon, Prashant Mani
	Paper Title:	<a href="#">Monitoring your Fleets on the Go with RTDFMS [Real time Distributed Fleet Monitoring System]</a>
379.	Authors:	Sivakumar D, Manjunath Varchagall, Ambika L. G, Usha S
	Paper Title:	<a href="#">Chronic Liver Disease Prediction Analysis Based on the Impact of Life Quality Attributes</a>
380.	Authors:	Anirooth Velamuri, Y. Rajesh Kumar
	Paper Title:	<a href="#">Comparison of Response Spectrum, Time History and Matched Time History Method in Zone V and Zone IV Earthquake Zones of Multi Storied</a>

# Human Capital and Partnership Affect the Quality of Graduates of Vocational High School through Organizational Culture

Isniar Budiarti, Erni Tisnawati Sule, Hilmiana, Umi Narimawati

**Abstract:** Along with the development of technology, especially in education, vocational schools should be able to produce qualified graduates. But the obstacles faced today are low human capital and minimal partnership relations with stakeholders. Therefore, it needs a good and solid organizational culture to improve the quality of graduates. This research tries to reveal the influence of human capital and partnership to increase quality of graduates through organizational culture. The study used structural equation model (SEM) and the respondents consist of 290 from 343 vocational school in West Java Indonesia. The findings is that an organizational culture as intervening variabel and has very dominant influence in improving the quality of graduates in vocational school.

**Index Terms:** Human Capital; Partnership; Organizational Culture; Quality of Graduates.

## I. INTRODUCTION

Education must be able to face global challenges in the increasingly tangible competition among nations, demanding high quality human resources to compete in national and global environments. Quality human resources are people who have advantages in physical endurance, mental, mastery of science, technology, discipline, responsible, honest and loyal to the country, solidarity, dedication, have certain skills, and future-oriented [1] stated that in this global era the most important is how to enable education as a process of preparing learners to successfully pursue their future. Vocational education is education that prepares students to be able to work in certain areas of work. Rupert Evans defined that vocational education as part of an educational system that prepares a person to be better able to work in a work group or one occupation than any other field of work. Foster (1965a) stated that students are very realistic about

Revised Manuscript Received on December 22, 2018.

**Isniar Budiarti**, Doctoral Student of Management, Universitas Padjadjaran Bandung – Indonesia and Lecturer of Faculty of Economics Universitas Komputer, Bandung–Indonesia, [isniarbudiarti@gmail.com](mailto:isniarbudiarti@gmail.com)

**Erni Tisnawati Sule**, Lecturer of Faculty of Economics and Business at University Padjadjaran, Bandung- Indonesia.

**Hilmiana**, Lecturer of Faculty of Economics and Business at University Padjadjaran, Bandung- Indonesia.

**Umi Narimawati**, Lecturer of Faculty of Economics and Business at University Padjadjaran, Bandung- Indonesia, and Lecturer of Faculty of economics, universitas Komputer Bandung – Indonesia.

their best career interests, and do not always depend on the orientation of the school. In particular, he argues that schools are a gateway to the modern economic sector - and as an escape from poor prospects in many rural areas. The core argument of the mistakes of vocational schools, according to Foster, is that "schools are less able to provide market desires and expertise needed. So long as parents and students perceive the function of education in this manner, agricultural education and vocational instruction in the schools is not likely to have a determinative influence on the occupational aspirations and destinations of students. Aspirations are determined largely the individual's perception of opportunities within the exchange sector of the economy, destinations by the actual structure of opportunities in that sector

The education world in Indonesia experienced four key crises namely: quality, external relevance, elitism and management. Specifically, the external relevance of vocational secondary schools remains a problem, with regard to the rise in the open unemployment rate of vocational high school graduates reported medio of July 2018 by the Central Bureau of Statistics nationally is 1,845,144 or increase of 17% from 2015.

**Table I:** Labor Force Population and Open Unemployment Rate (TPT) According to Education

No.	Education	Work	Unemployment	Total	OUR (%)
1.	Elementry School	8.873.253 (44.57%)	711.947 (38,58%)	9.585.200 (44.06%)	5,99
2.	Junior High School	3.721.025 (18.69%)	472.562 (25,61%)	4.193.587 (19.28%)	6,92
3.	High School	3.281.702 (16.48%)	452.835 (24,54%)	3.734.537 (17.17%)	8,06
4.	vocational high school	1.920.432 (9.64%)	166.734 (9,04%)	2.087.166 (19.59%)	0,6
5.	Diploma I,II,III/Academy	588.237 (2.95%)	32,826 (1,78%)	621.063 (2,85%)	1,17
6.	University	1.524.671 (7.66%)	8,240 (0,45%)	1.532,911 (7,05%)	7,21
<b>Total</b>		<b>19.909.320</b>	<b>1.845.144</b>	<b>21.754.464</b>	

**Source:** Central Bureau of Statistics of West Java Province No. 31/05/32. Year 2018



Deal and Peterson (1994), stated that the concept of school culture embracing a wide variety of beliefs, goals, purposes, thoughts, knowledge and expectation. Cultural concepts include the breadth of knowledge, objectives, goals, thoughts, knowledge and expectations. Culture becomes the cornerstone of every policy or rule and directs the behavior of individuals within the school organization[37].

## II. LITERATURE REVIEW

### A. Human Capital

Rastogi (2000) states that human capital is an important input for the organization for continuous employee improvement, especially knowledge, skills and abilities. Thus, human capital is referred to as the knowledge, skills, competence, and attributes contained within the individual that facilitate the creation of personal, social and economic well-being [20] suggested that the competence of human resources or human capital is considered as the vein of an organization and human capital is a very crucial resource to innovate and develop the organization.

Furthermore, Hsu and Wang (2012), defined that human capital is all business capital that is embedded in the employees and not owned by the organization. This capital can be taken by employees, and includes the competence of employees and managers, experience, knowledge, skills, attitudes, commitment and wisdom as well as job control. From some opinions of experts when examined there are several definitions of human capital such as Bontis and Serenko (2009) argue, human capital includes three factors, namely 1) competence, 2) experience, and 3) knowledge possessed by an individual. Carmeli and Tishler (2004) and Castro and Saez (2011), suggested the dimensions of competence, education and work experience, in which dimensions are suitable to apply, suitable for use in various public organizations and private organizations. According Mayo (2000), that human capital has five basic components of leadership, working groups, individual motivation, organizational climate, and individual capabilities[28][30].

So it can be said that human capital is a form of human investment including education, knowledge, skills, and experience so as to be a quality human resources and able to provide added value for the organization.

### B. Partnership

The research results Okpor, Ikechukwu; Najimu, Hassan (2012), about private school partnerships with acquisition skills education and vocational education. Research results Okoye, K R E; Chijioke, Okwelle P. (2013) that training in vocational education held by industry and the private sector helps the industrial sector to gain a skilled workforce, knowledgeable and professional career. Christine [2][3][4], that collaboration or partnership is to enhance and combine the power of society with education of change for the common good. Palestin B. (2007) states that partnership is a relationship or cooperation between two or more parties, based on equality, openness and mutual benefit or benefit. In line with Tracey Allen (in Arifin, 2012), states concrete results from partnership cooperation is expected to provide benefits, especially in supporting the implementation of professional academic education programs.

While Partnership is a facilitator in promoting sustainable

national development especially in vocational education. So it can be concluded that this can be realized if the world of education is willing to establish relationships or cooperation between private sectors with the public sector to partner effectively as built vocational technical education[33][36].

### C. Organizational Culture

According to Robbins (2003), organizational culture is a shared system of shared values and shared values of the organization, which serves to create a clear distinction between one organization and another, creates a sense of identity for members of the organization, facilitates the emergence of commitment collective organization, enhancing social system stability, and creating mechanisms of meaning and control that guide the attitude and behavior of members of the organization. Deal and Kennedy as quoted Robbins (2001) describes the organizational culture as the dominant values supported by the organization.

Furthermore, Parra and Castillo (2013)[13][14] define organizational culture as a set of values, beliefs and patterns of behavior that shape the basic identity of an organization, and derive from the founders' thinking, which evolves over time by accumulated experiences, new social trends and changes in managers until with today. Ballou (2010) says that the organizational culture is a value and mutual trust that helps individuals understand organizational functions and give them norms of behavior within the organization[22][23]. She uses eight dimensions of organizational culture, namely innovation, attention to detail, result orientation, aggressiveness, support, emphasis on rewards, team orientation, and firmness. The results obtained are aggressiveness limiting satisfaction, and employees recognize that job satisfaction is affected by justice, opportunities for personal growth, enthusiasm for work and good reputation [15][16] conducted empirically, test the influence of managerial capabilities and organizational culture on financial performance.

Based on some of the expert opinions above, the concept of organizational culture raises a variety of perspectives, but basically that organizational culture is related to the system of shared meaning that is believed by all members of the organization (refers to a system of shared meaning held by members), where the same meaning that contained within the organizational culture[17].

### D. Quality of Graduates

Quality refers to Juran (1998), is fitness for use, this means that a product or service should be in accordance with what is required or expected by the user. Parsley and Carrigan (1994) argued that the term quality is defined as the superior or the achievement of a perfect standard that begins with a standard grade assessment, or something that has only an acceptable minor error. Furthermore[5][6], defined that quality as a dynamic condition related to products, services, human resources, processes, and environments that meet or exceed expectations.

While Kotler (2007), defines quality as the overall characteristics and nature of goods and services that affect the ability to meet the needs [7][8][9], that quality in education must be in accordance with the required or standardized, both

input, process and output. Benedicta (2016), suggested soft skill competence, skill competence and show that, significant soft skill effect on competence (initiative, confidence and assertiveness) intent to become entrepreneur. Wang and Huang (2017), uses four dimensions: development ability, social ability, professional ability and personal qualities, and the results of his research there are several correlations between the four dimensions[10][11].

From some of the description above, it can be concluded that the graduate quality constructs in this study is achievements achieved by graduates through input, process and output, within a certain period of time that has the ability to meet the needs and expectations of users. The ability to innovate has the greatest influence on development ability, organizational capability and coordination have the greatest influence on social capability, operational ability has the greatest influence on professional competence, and professional ethics has the greatest effect on personal quality.

The hypothesis of this study assume that human capital affect the quality of graduate vocational high school through organizational culture (H1). Hereafter, this study assume that partnership affect the quality of graduate vocational high school through organizational culture (H2)[12].

### III. METHOD AND RESEARCH DESIGN

This research use SmartPLS.20 model to test the structural model and hypothesis. The purpose of this research is to reveal the affect of human capital and partnership to the quality of graduate vocational high school through organizational culture to be novelty in the form of model finding through hypothesis testing. Hypothesis testing is done by using quantitative research design that is by making research question using semantic differential scale with criterion answer 5 to be asked to director and staff of vocational high school in West Java. The number of samples used in this study was calculated based on the provisions in using structural equation modeling. Schumacker and Lomax (2004), suggested the number of samples is at least 5 times the number of parameters. In this study there are 57 parameters, consisting of 40 first order loading factors, 9 second order loading factors, 5 path coefficients, 1 correlation coefficient and 2 other factors. So the minimum number of samples needed in this study is as many as 290 Vocational High Schools in the Region IV Bandung Raya West Java Province[20][21].

Participants were asked to indicate their agreement with each of the 68 items questionnaire was assessed using a 5-point Likert scale (1 = lowest and 5 = highest) for human capital, partnership (1 = worse and 5 = excellent), and quality of graduate (1 = worse and 5 = excellent). A questionnaire was designed to assess human capital and partnership towards quality of graduate through organizational culture. The researcher examined the internal scale reliability of the each variables questionnaire and the scale was found to have good internal consistency to examine n= 290, significant level 5%, and t table = 2.253, and dimension of constructs are as showed in table II.

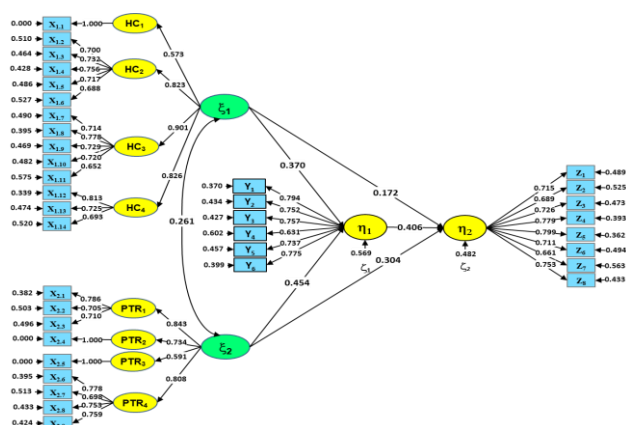
**Table II:** Variables, Dimensions, and Measurement

Variables	Dimensions	Measurement
Human capital	Education	1. Academic cualification
	Knowledge	1. Practice

Partnership	Competence	2. intellectuality 3. Small talk 4. Spirituality	
	Managerial skills	1. Personality 2. Managerial 3. Entrepreneurship 4. Supervision 5. Social	
	Apprenticeship program	1. Conceptual skills 2. Humanity skills 3. Technical skills	
	Training program	1. Student debriefing 2. Student placement 3. Student coaching	
	Production program	1. Visiting company	
	Graduate distribution program	1. Partners in production 1. Partnership in recruitment 2. Community problem solving 3. Program relevance to community needs 4. Become a skilled community	
		Significant Flexibility	1. Planning contribution 1. Easy to implementation 1. Goal procedure planning
		Relevance	1. Guarantee ability
	Quality of graduate	Uncertainty	1. System recovery for future
		Adaptation skills	1. Plan for time graduate
Time		1. Measurement tools	
Monitoring		1. Implementation for future	
Learning materials		1. School values	
Behavior rules		1. Behavior standard norms	
Norms		1. Achievement of education quality	
Dominant values		1. Organizational members belief	
Philosophy			

### IV. DATA ANALYSIS AND FINDING

The hypothesis testing is intended to examine the influence of human capital and partnership towards graduate quality through organizational culture. The path diagram belows can be written in the structural equation as follows :  $\eta_2 = 0.410\xi_1 + 0.465\xi_2 + 0.506\xi_1$  : human capital,  $\xi_2$  : partnership,  $\eta_2$  : organizational culture.



**Fig 1:** Structural Model Research of Human Capital and Partnership to Quality of Graduates Through Organizational Culture

The magnitude of human capital influences 19.8% and partnership 15.5% to organizational culture. It can be seen from the table results of the correlation of these two variables. Evaluation of causal relationships between variables of research is carried out through verification of structural





## Human Capital and Partnership Affect the Quality of Graduates of Vocational High School through Organizational Culture

models[18]. Based on data processing obtained verification of the influence between variables as presented in the following table III.

**Table III:** Inter Variable Effect Verification Results

Path	Direct		Indirect		R <sup>2</sup>
	Coefficient	t-value	Coefficient	t-value	
$\xi_1 \rightarrow \eta_1$	0,370	4,652	-	-	0,431
$\xi_2 \rightarrow \eta_1$	0,454	5,493	-	-	
$\xi_1 \rightarrow \eta_2$	0,172	2,172	-	-	0,518
$\xi_2 \rightarrow \eta_2$	0,304	3,437	-	-	
$\eta_1 \rightarrow \eta_2$	0,406	4,059	-	-	
$\xi_1 \rightarrow \eta_1$	-	-	0,150	3,171	
$\xi_2 \rightarrow \eta_1$	-	-	0,184	3,485	
$\rightarrow \eta_2$					

Table III shown that human capital and partnership simultaneously have an effect of 43.1% on organizational culture. Then human capital, partnerships and organizational culture together have an effect of 51.8% on the quality of graduates, while the remaining 48.2% is the influence of other factors not examined. Furthermore, hypothesis testing is done to prove the presence or absence of the influence of human capital and partnerships on organizational culture and its impact on the quality of graduates.

The influence of human capital and partnerships toward organizational culture. The result effect of each exogenous variable (human capital and partnership) is calculated on the organizational culture as showed on table IV. below.

**Table IV** The Effect of Each Exogenous Variable on Organizational Culture

Exogenous Variable	Path-coefficient t	Direct	intervening		Total
			$\xi_1$	$\xi_2$	
$\xi_1$	0,370	13,7%		4,4%	18,1%
$\xi_2$	0,454	20,6%	4,4%		25,0%
<b>Simultaneously</b>					<b>43,1%</b>

Simultaneously both exogenous variables (human capital and partnership) contribute or influence by 43.1% on organizational culture in vocational schools in the Greater Bandung area. While the remaining 56.9% is the influence of other factors outside of the two exogenous variables studied. Between the two independent variables, partnerships provide a greater influence on the organizational culture of vocational schools than human capital.

**Table V:** Hypothesis Testing Results

Hypothesis	$\gamma$	r <sup>2</sup>	t	Results
Human capital $\rightarrow$ organizational culture	0.198	0.04	3.630	Hypothesis accepted
Partnership $\rightarrow$ organizational culture	0.155	0.02	3.095	Hypothesis accepted

Table V above shown that partially human capital variables (t count > t table) where the value of r<sup>2</sup> = 4% biggest than partnership to the quality of graduate, and the amount of

indirect influence is 0.0008. These results shown that a excellent human capital such as education, knowledge, competence, and managerial skills are instrumental in improving the quality of graduates[19]. This is in line with Ayman (2010) that effective sharing of knowledge among academics at higher education institutions is essential. Also revealed by Felicia (2015), found that knowledge sharing is very influential on performance improvement. the achievement of competitive advantage is a major predictor of the achievement of strong organizational performance.

And partnership factors such as apprenticeship program, training program, production program, and graduate distribution program are needed to increase the quality of graduates.

**Table VI:** Hypothesis Testing Result

Hypothesis	$\gamma$	r <sup>2</sup>	F	Results
Organizational culture $\rightarrow$ quality of graduates	0.506	0.25	18.953	Hypothesis accepted

Based on the results of the SPSS v.20 output above it shows the calculated F value is greater than the F table value (18.953 > 3.32) with a significant level below 0.05, which is 0.000. And the simultaneous test decision making in regression analysis it can be concluded that the human capital (X<sub>1</sub>) and partnership (X<sub>2</sub>) have a significant effect to increase the quality of graduates. The structural equation of path diagram of simultaneously :  $\eta_2 = 0.198\xi_1 + 0.155\xi_2 + 0.672\beta + 0.815$

Thus, organizational culture such as behavior rules, norms, dominant values, and philosophy has an important role in improving the quality of graduates, because it becomes a mediating variable of human capital and partnership in influencing the quality of graduates positively and significantly.

In line with the opinion of Shah Raza (2010) that conducive organizational climate, such as lecturers are given the opportunity to discuss academic problems in groups, seminars and conferences, will improve the performance of lecturers.

## V. DISCUSSION

The estimation of the largest coefficient of determination in the latent variable quality of graduates can be seen in the indicators of improving the system implemented in the future. These results indicate that improving the system in the future is the most powerful factor in reflecting the quality of graduates, then the indicators of the ability to provide guarantees. On the other hand, indicators of tools to measure the success of implementation in every aspect of the activity are the weakest in reflecting the latent variables of the quality of graduates. So based on the results that human capital partially influences the organizational culture of vocational schools in the Greater Bandung area. human capital has a direct influence of 13.7% on organizational culture. indirect effect of 4.4% so that the total effect of human capital on organizational culture is 18.1 percent. Thus it can be concluded that partnerships affect the quality of graduates through



organizational culture.

## VI. CONCLUSIONS

The quality of graduates in vocational schools, especially in the province of West Java is influenced by human capital and partnerships, but the most dominant concept of influence is through organizational culture that applies to every vocational school. Because organizational culture becomes an intervening variable that has a huge influence in improving the quality of graduates.

However, in terms of the output of the graduates did not fully meet the criteria needed by stakeholders or industry. And this is what is further research to assess how the pattern of vocational education is easily accepted and needed by the industries.

## SUGGESTIONS

Vocational schools must be oriented to competencies that are in line with the times and technology. By improving the quality of human resources as human capital and partnerships that encourage and drive superior programs, as well as an organizational culture that prioritizes discipline of learning and solid teamwork.

## REFERENCES

1. Ayman Bassam and Hasan, Nassuora, Shahizan (2010). *Knowledge sharing among academics in institutions of higher learning*. In: Knowledge Management International Conference. Kuala Terengganu, Malaysia.
2. Benedicta Prihatin Dwi Riyanti, Christine Winstinindah Sandroto, M. Tri Warmiyati D.W, (2009). Soft Skill Competencies, Hard Skill Competencies, and Intention to Become Entrepreneur of Vocational Graduates, *International Research Journal of Business Studies*, Vol. 9. No.2, ISSN: 2089-6271 | e-ISSN: 2338-4565, pp. 119 – 132.
3. Ballou, Victoria (2010). Organizational Culture as A Predictor of Job Satisfaction: The Role of Gender and Age, *Career Development Internasional* Vol. 15.
4. Bontis, N. and Serenko, A. (2009). Longitudinal knowledge strategising in a long-term healthcare organisation, *International Journal of Technology Management*, Vol. 47
5. Carmelia, A., & Tishler, A., (2004). Resources Capabilities and The Performance of Industrial Firms: A Multivariate Analysis, *Managerial and Decision Economics*.
6. Christine A; Zavotka, Susan L; Teaford, Margaret H. (2010). Implementing a University-Community-Retail Partnership Model to Facilitate Community Education on Universal Design” *Scholarly Journals*.5(44).
7. Crosby. P.B (1989), *Let’s talk quality*. New York. McGraw-Hill.
8. Deal, T.E., & Peterson, K.D. (1994). *The leadership paradox: Balancing logic and artistry in schools*. San Francisco: Jossey-Bass.
9. Evans, Rupert N, Swanson. Gordon I, and Wenrich, Ralph C. (1962). Vocational, Technical, and Practical Arts Education. *Review of Educational Research*. Vol. 32, No. 4, pp. 367-376
10. Felicia A. Iyama, John O. Ohiorenaya (2015). Knowledge Sharing and Performance in the Nigerian Oil and Gas Industry. *Information and Knowledge Management*. www.iiste.org ISSN 2224-5758 (Paper) ISSN 2224-896X (Online) Vol.5, No.3, 2015.
11. Foster, Phillip. (1965a), *The Vocational School Fallacy in Development Planning*. In *Education and Economic Development*, ed. Arnold A. Anderson and Mary Jean Bowman. Chicago: Aldine.
12. Goetsch & Davis (2013). *Quality Management*, Fourth Edition. Cram101 Incorporated.
13. Hsi Lo, Yin. (2012). Managerial Capabilities, Organizational Culture and Organizational Performance: The Resource-Based Perspective in Chinese Lodging Industry. *The Journal of International Management Studies*, Vol.7 Number 1.
14. Hsu, Li-Chang Hsu and Wang, Chao-Hung (2012). Clarifying the Effect of Intellectual Capital on Performance: The Mediating Role of Dynamic Capability. *British Journal of Management*.
15. Juran, Joseph (1998). *Leadership for Quality: An Executive Hand Book*. New york: Free Press.
16. Khaliq, Muhammad; Jamal Abdul Nassir bin Shaari; Abu Hassan bin Md. Isa and Noridah Binti Samad (2013). Impact of Intellectual Capital on the Organizational Performance of Islamic Banking Sector in Malaysia. *Asian Journal of Finance & Accounting* ISSN 1946-052X2013, Vol. 5, No. 2
17. Kotler, Philip (2007), *Manajemen Pemasaran*. Jakarta: PT.Indeks.
18. Martin-De Castro, G. Lopez-Saez, P., et.al, (2011). Organizational Factors to Support Knowledge Management and Innovation, *Journal Knowledge Management*, Vol 15.
19. Mayo, A., (2000). The Role of Employee Development in the Growth of Intellectual Capital. *Personel Review*, Vol. 29.
20. Okpor, Ikechukwu; Najimu, Hassan, (2012). Public-Private Partnership for Skill Acquisition and Vocational Technical Education Development in Nigeria. *Mediterranean Journal of Social Sciences*. Volume: 3.
21. Okoye, K R E., Chijioko, Okwelle P, (2013). Private Public Partnership and Technical Vocation Education and Training (TVET) In A Developing Economy. *Arabian Journal of Business and Management*. Volume: 2.
22. Parra, Antonio Ortega and Miguel A’ngel Sastre-Castilo, (2013). Impact of Perceived Corporate Culture On Organizational Commitment Management Decision, Vol. 51 No. 5.
23. Rastogi, P.N., (2000). *Knowledge Management Today: Challenges and Opportunities*. Information System Management, Spring.
24. Raza, Pir Ali Shah. (2010). Impact of Organizational Climate On Performance of College Teachers In Punjab. *Journal of College Teaching & Learning*. Volume 7.
25. Robbins, Stephen P., (2001). *Organizational Behavior*, 9<sup>th</sup> Edition. Prentice Hall Publisher. Upper Saddle, New Jersey.
26. Trilling and Fadel, (2011). *21<sup>st</sup> Century Skills: Learning for Life in Our Times*, Jossey Bass: USA
27. Wang, R., & Huang, Y. (2017). Going native on social media: The effects of social media characteristics on native ad effectiveness. *Journal of Interactive Advertising*, 17(1)